

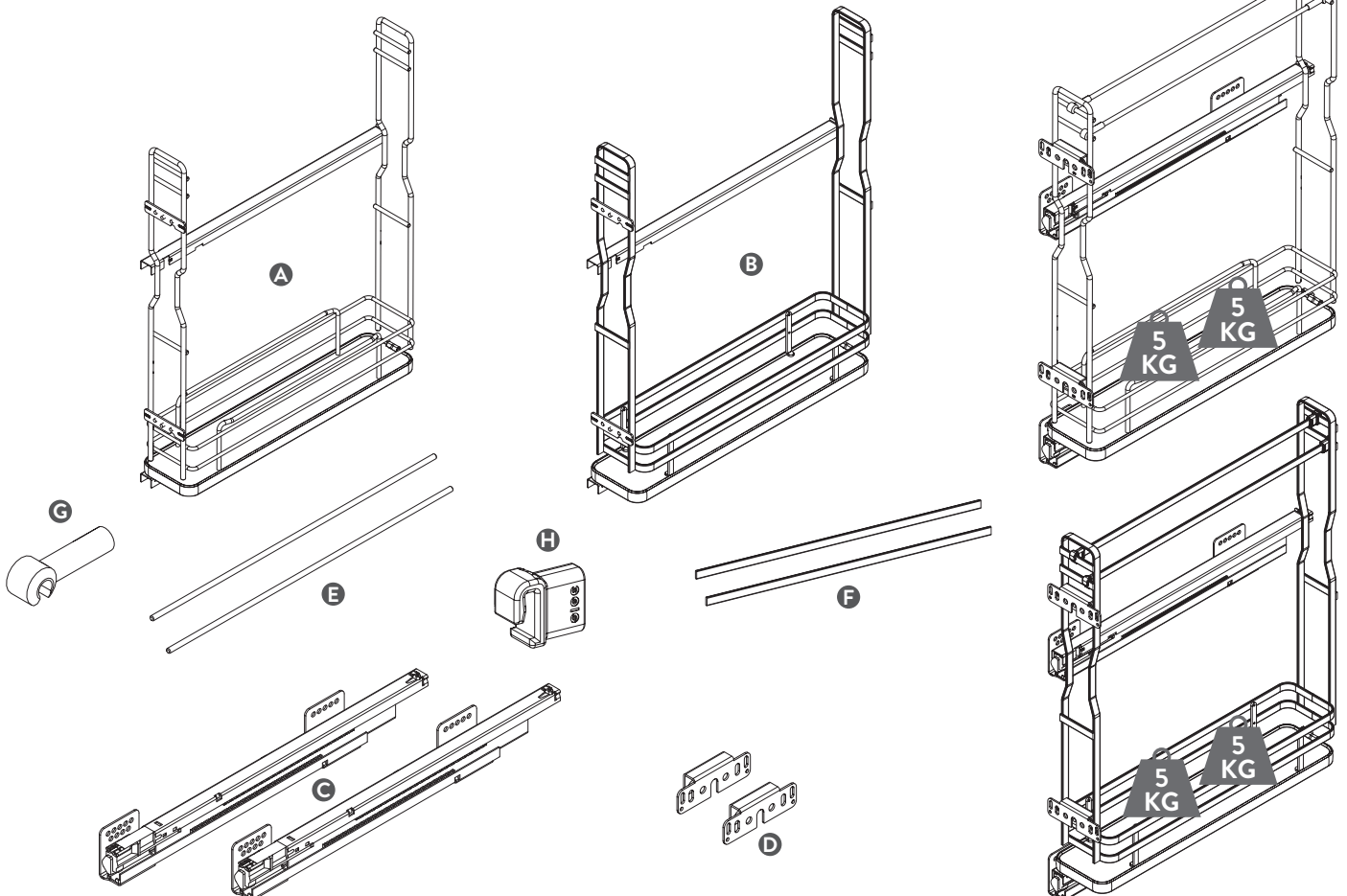
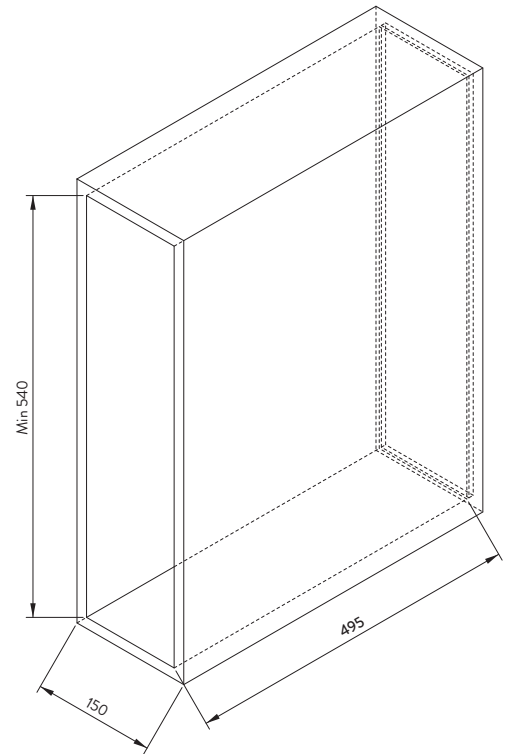


Fitting Instructions: Aura Towel Rail Pull Out Unit

www.questhardware.co.uk
01280 822062

PARTS

- A. N°1 Basket
- B. N°1 Basket
- C. N°1 Set left slides
- D. N°2 Door brackets
- E. N°2 Towel rail
- F. N°2 Towel rail+
- G. N°4 Hook
- H. N°4 Hook+

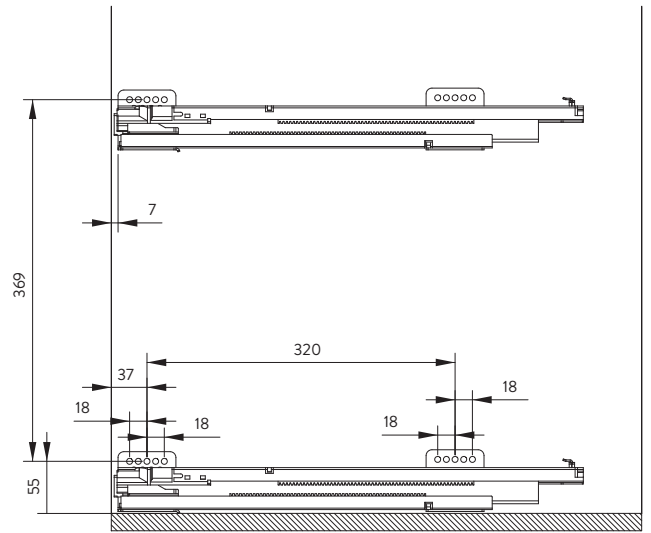
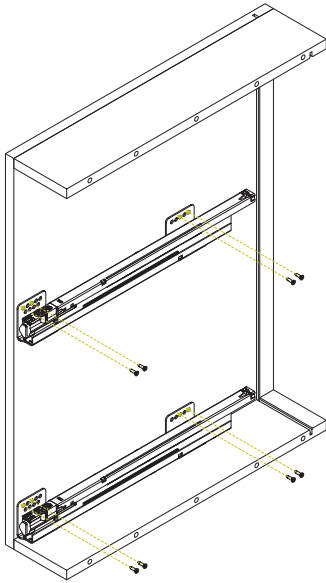


N°12 4x16



1

Place slides C respecting showed data and screw them.

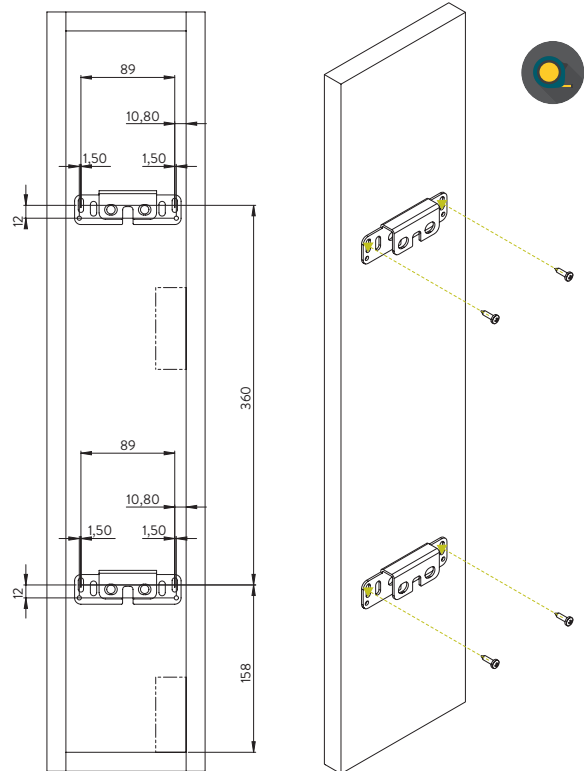


N°4 3.9x13



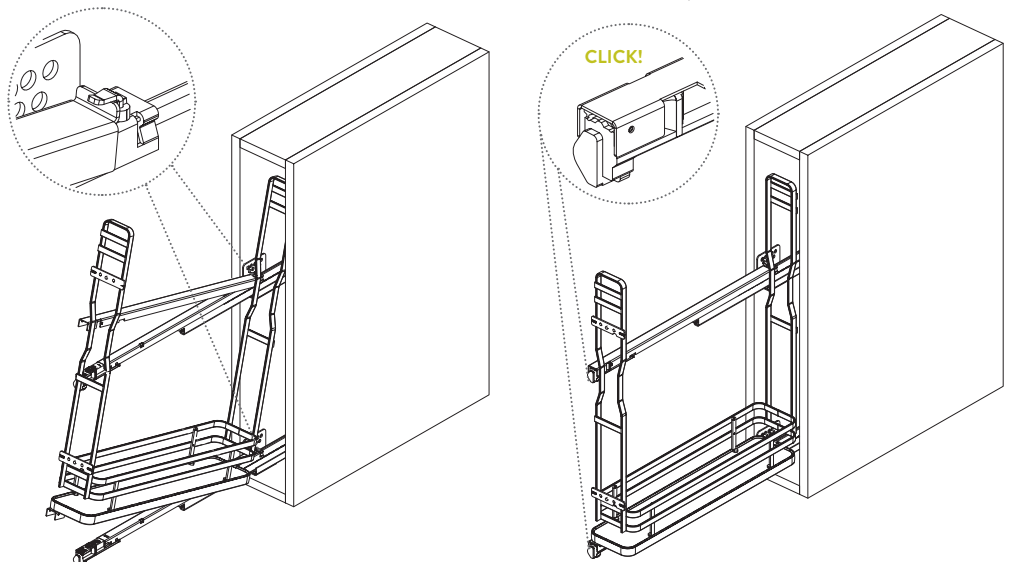
2

Screw door bracket D, on the door respecting showed data.



3

Fit basket A/B on slides C.

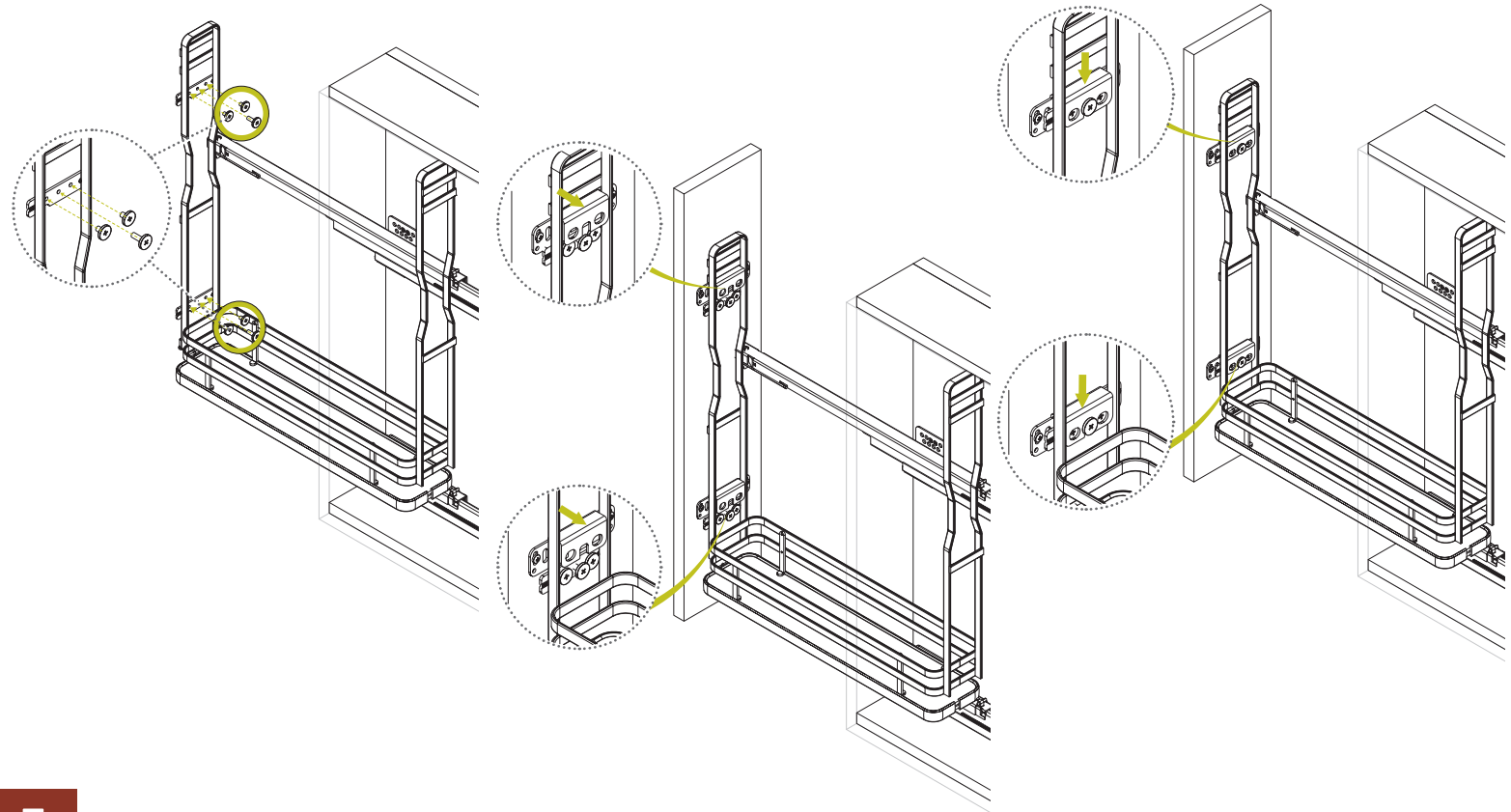


N°4 M5x8 TP N°2 M5x15 TP



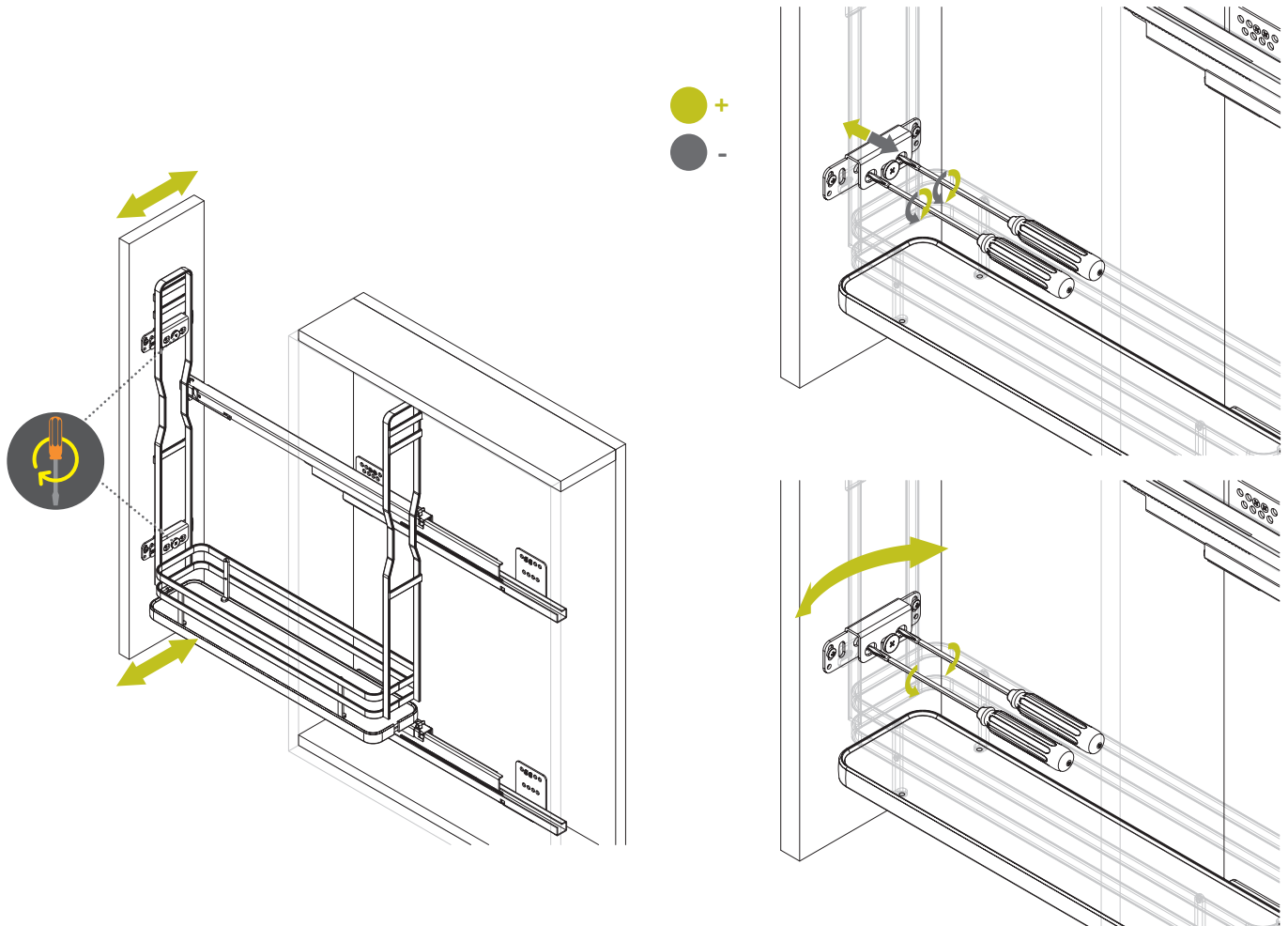
4

Pre-assemble the four M5x8 TP screws and the two M5x15 TP screws, then fit the door onto the A / B basket.



5

Loosen the central screw and make the adjustments as shown.

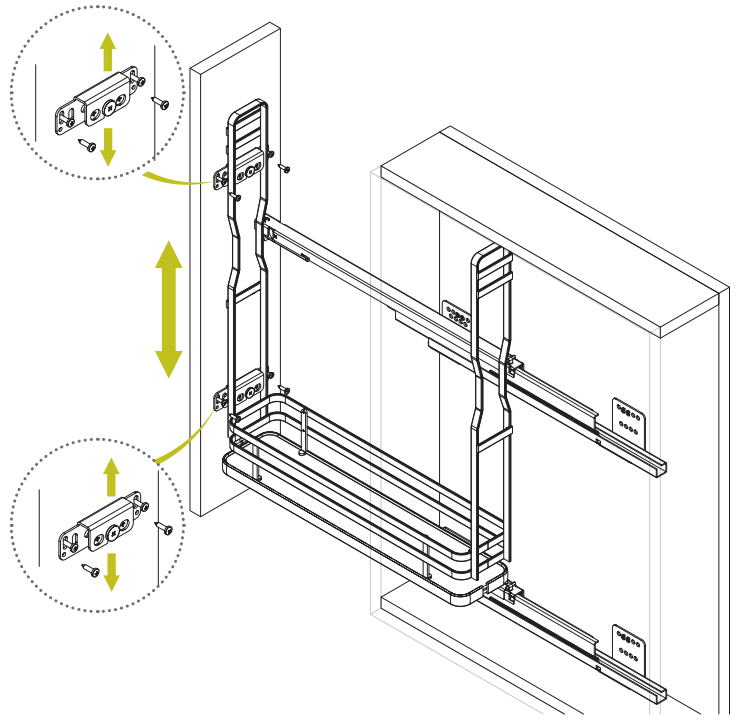


N°4 3.9x13



6

Make adjustments and fix with 3.9x13 screws.



7

