



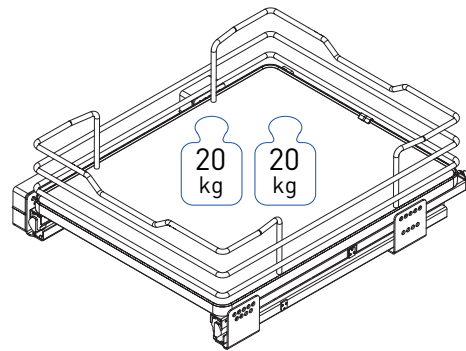
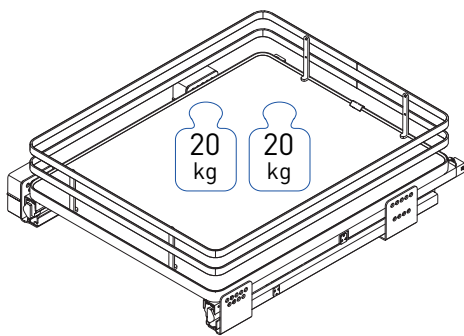
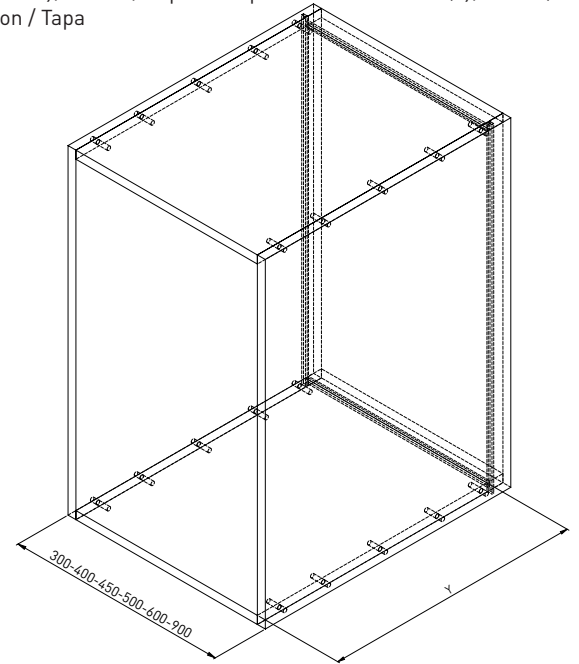
Fitting Instructions: Aura Pull Out Drawer

www.questhardware.co.uk
01280 822062

- A. Cesto art.119i/119+ / Basket art.119i/119+ / Panier art.119i/119+ / Cesto art.119i/119+
- B. Set guide Sige / Kit Sige slides / Kit coulisses Sige / Kit guías Sige
- C. Set carter per guide Sige/ Cover kit for Sige slides
Kit carter pour coulisses Sige / Kit carter para guías Sige
- D. n°2 Distanziali / Spacers / Entretoise / Separadores
- E. 16/18 mm Set spessori fianco mobile / Thickness side cabinet spacers (16/18 mm)
Epaisseurs côté du meuble de 16/18 mm / Espesores para lado de mueble (16/18 mm)
- F. 19/20 mm Set spessori fianco mobile / Thickness side cabinet spacers (19/20 mm)
Epaisseurs côté du meuble de 19/20 mm / Espesores para lado de mueble (19/20 mm)
- G. n°2 Tappo / Cap / Bouchon / Tapa

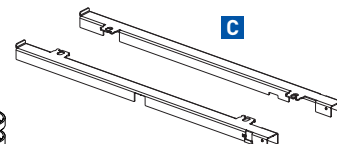
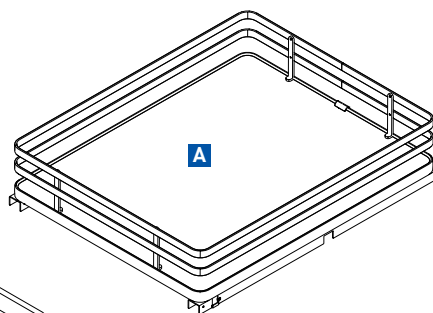
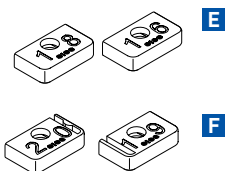
PARTS

- A. N°1 Basket
- B. N°1 Drawer Runners Kit
- C. N°1 Drawer Runners Cover Kit
- D. N°2 Spacers
- E. N°4 Side Cabinet Spacers 16/18mm
- F. N°4 Side Cabinet Spacers 19/20mm
- G. N°4 Cap

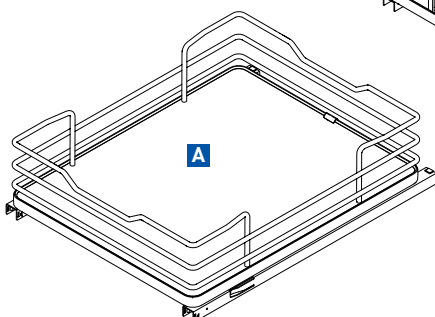


Y	P 455	P 505
P MIN	455	505

Y: minimum internal cabinet depth



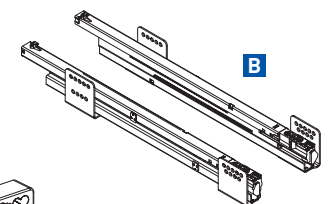
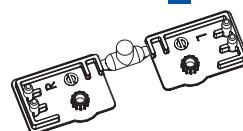
C



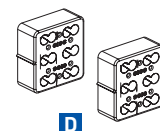
A

A

G



B



D

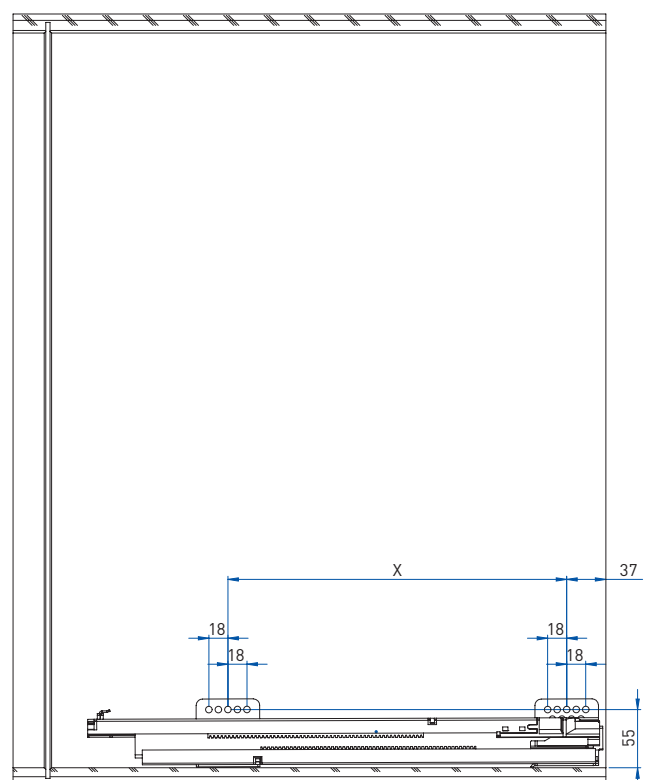
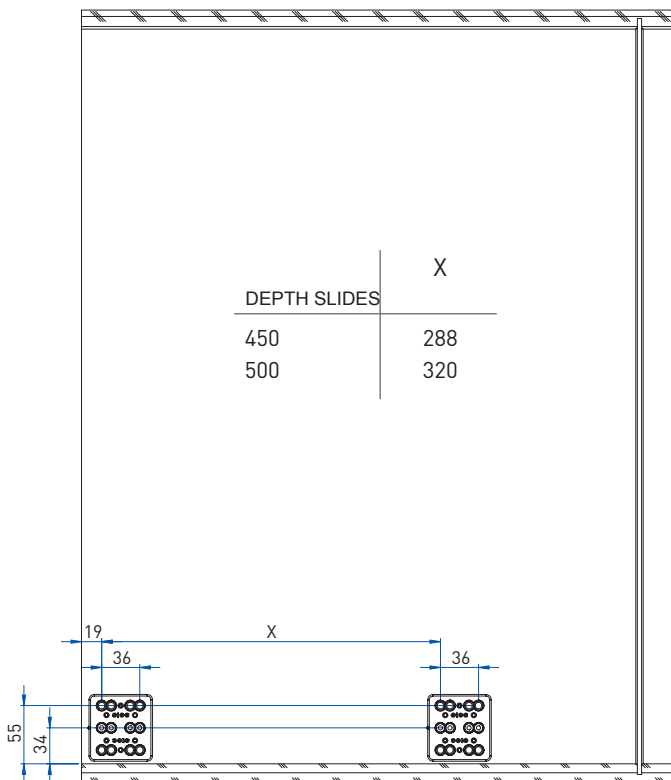
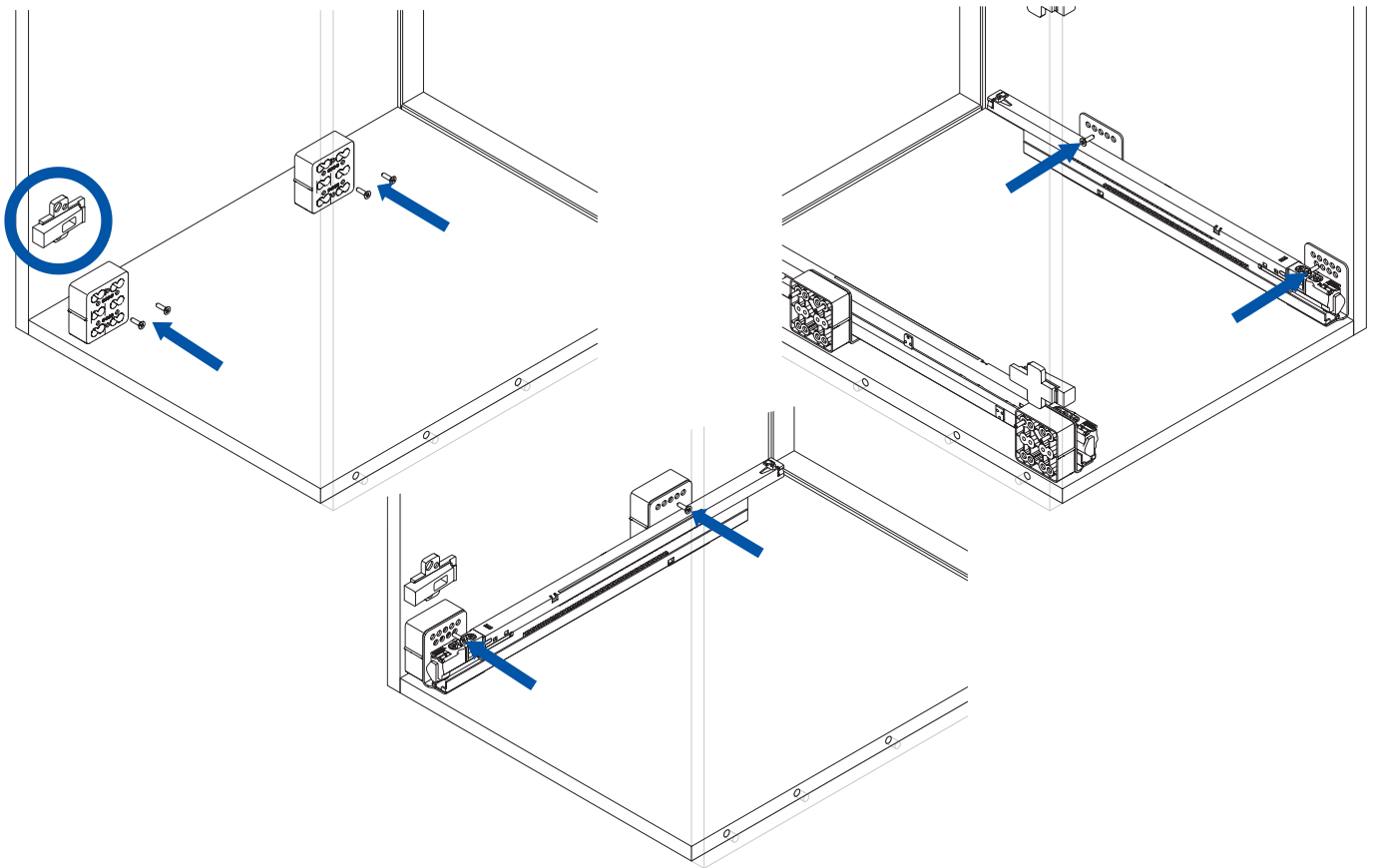
N°12 4x16



1

Screw the spacers "D" on the hinge side of the furniture respecting the quotes and then screw the slides "B" on the spacer "D".

N.B.: use n. 4 spacers for the furniture of mm. 900

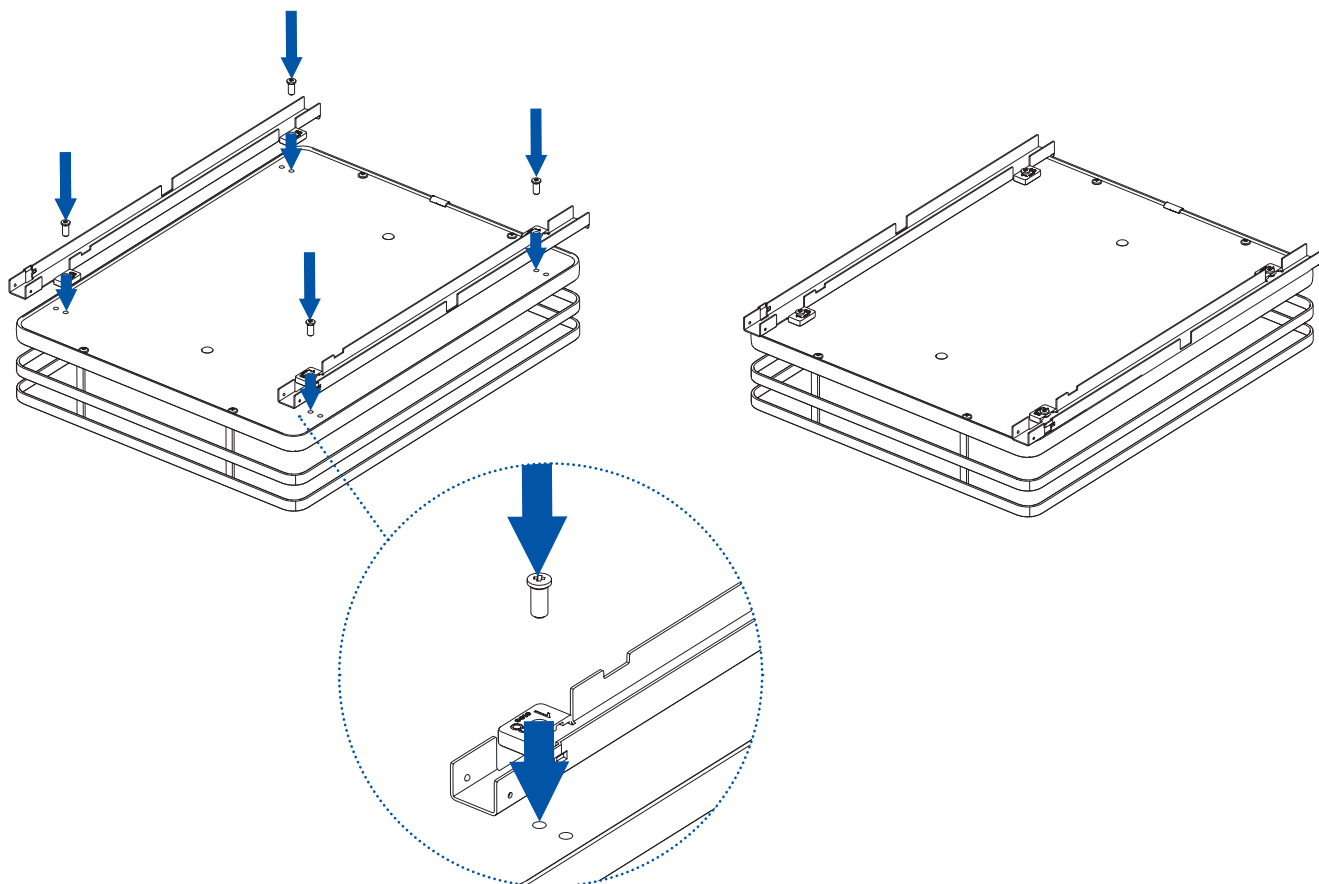
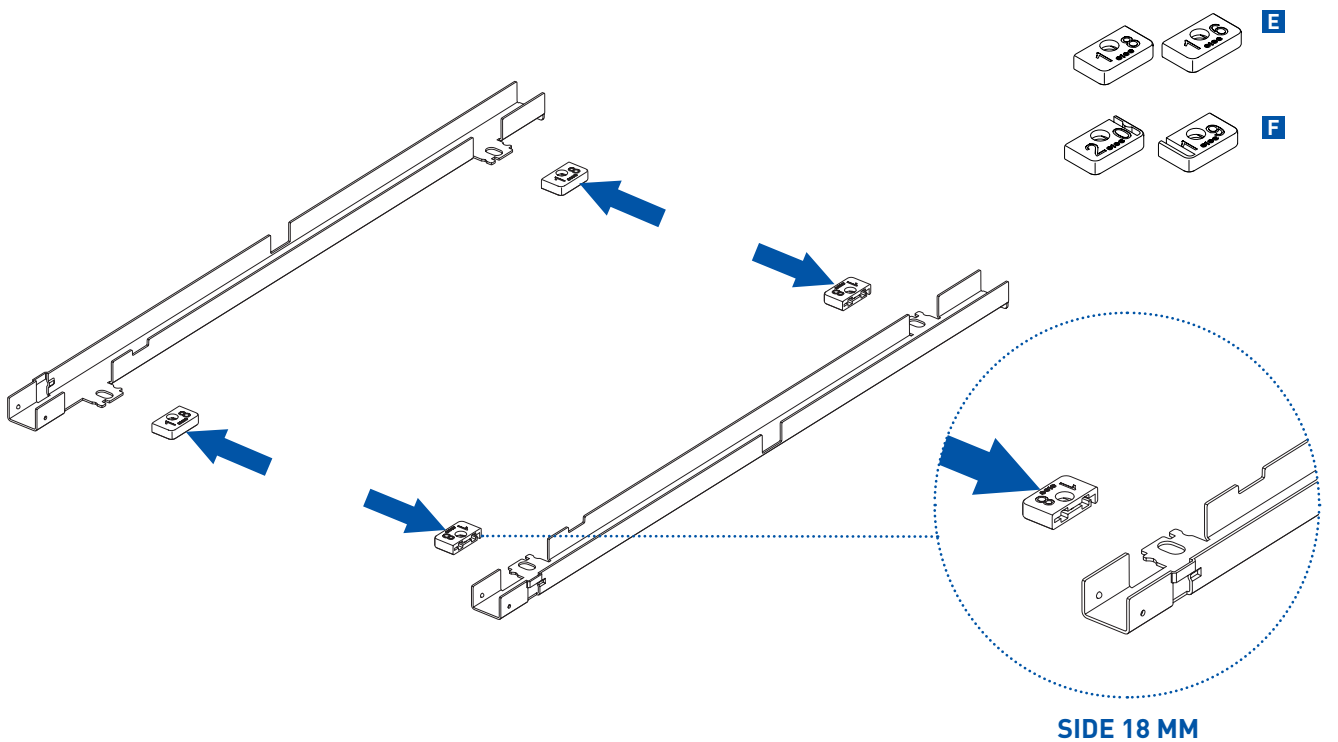


N°4 6.3x14



2

Choose the component "E" or "F" depending on the furniture's side. Put the component into the cover "C" and fix it on the bottom by using the euro screw.



3

Pull out the slides "B" and hang the baskets "A" on the slides; insert the cap "G" as in the picture.

