

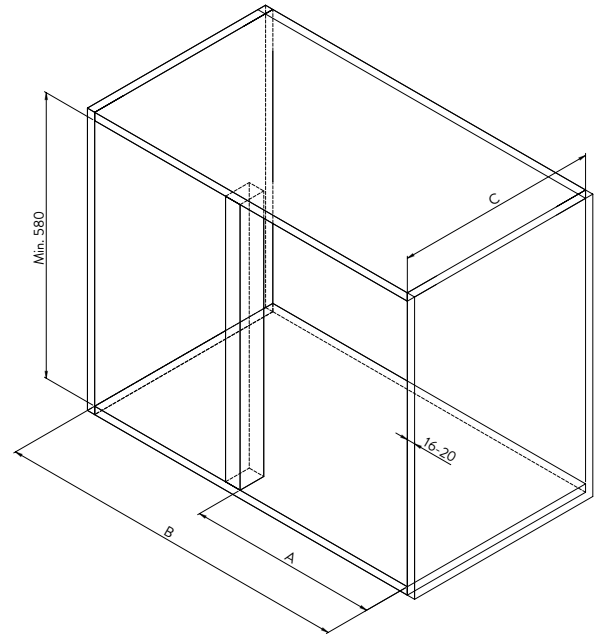


Fitting Instructions: Aura Secret Corner Pull Out Unit

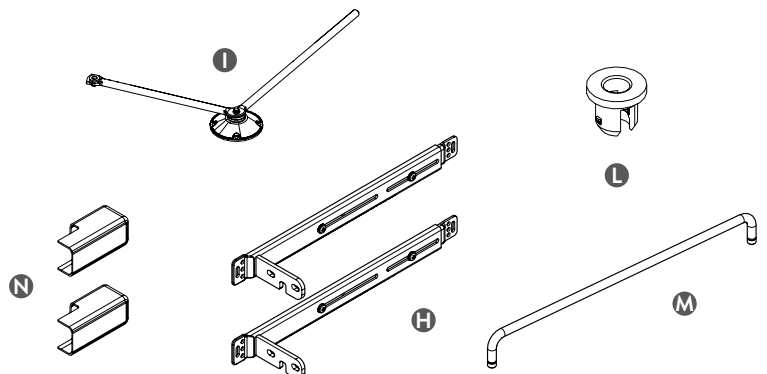
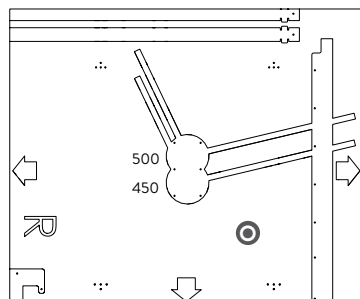
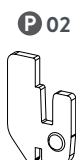
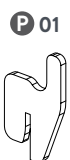
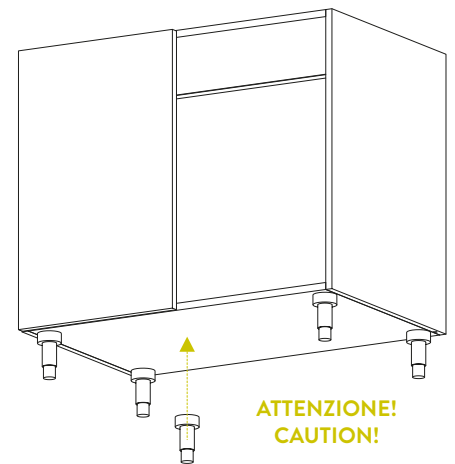
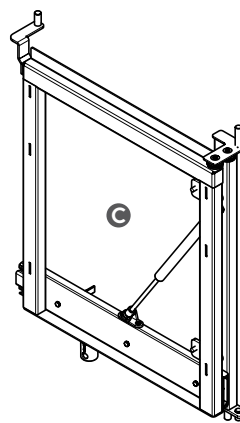
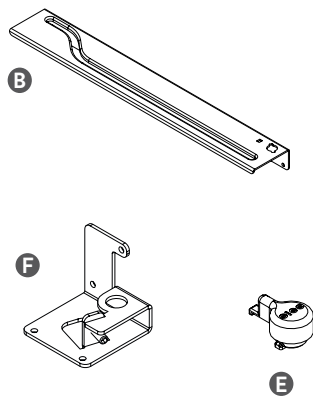
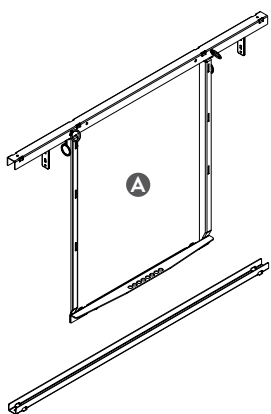
www.questhardware.co.uk
01280 822062

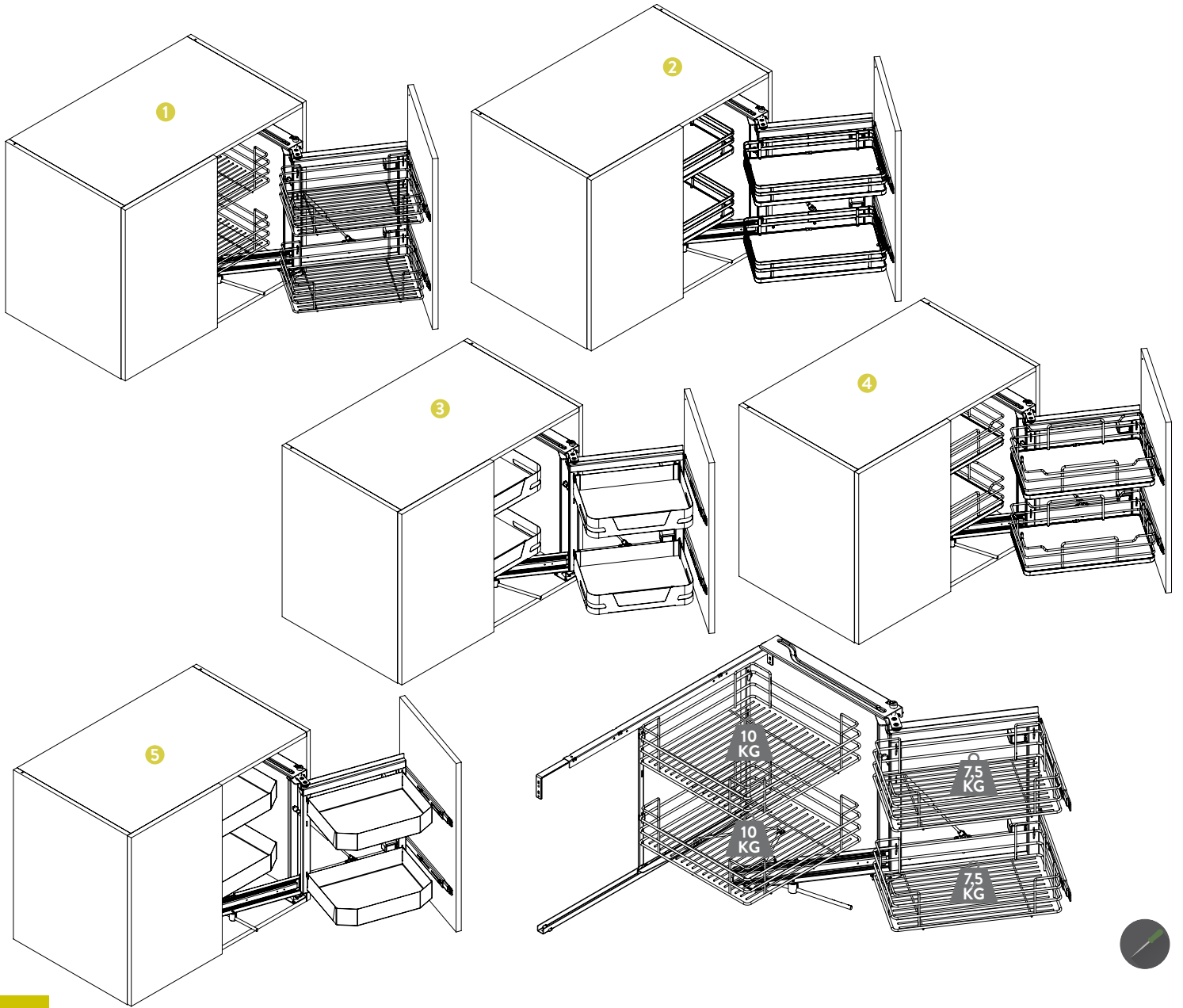
PARTS

- A. N°1 Back Structure
- B. N°1 Lateral Structure
- C. N°1 Front Structure
- D. N°1 Lower Bushing
- E. N°1 Upper Bushing
- F. N°1 Stop
- G. N°1 Soft
- H. N°2 Bracket
- I. N°1 Joint
- J. N°2 Post-connectors
- K. N°1 Linking Arm
- L. N°2 Cover
- M. N°1 Mounting Template
- N. N°8 Hooks



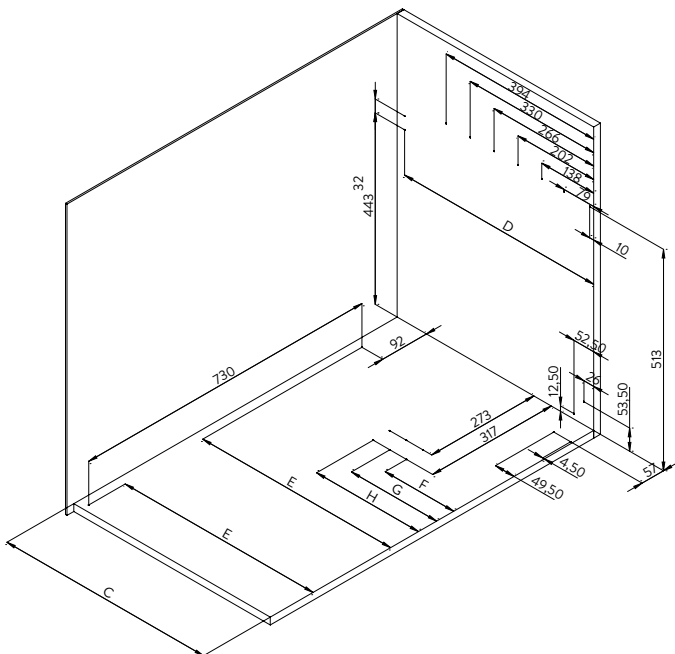
DOOR	A	B	C
400	Min. 360	Min. 760	470/505
450	Min. 410	Min. 860	470/505
500	Min. 460	Min. 860	470/505
600	Min. 560	Min. 1050	470/505





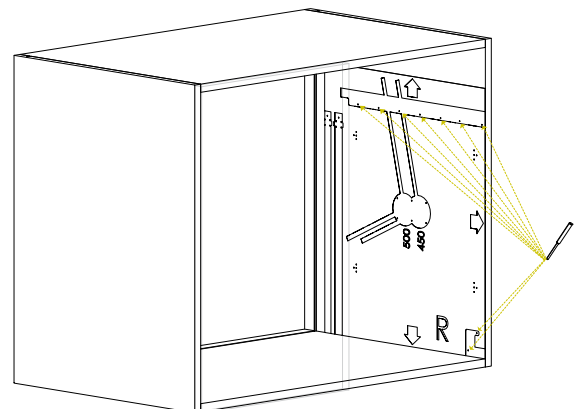
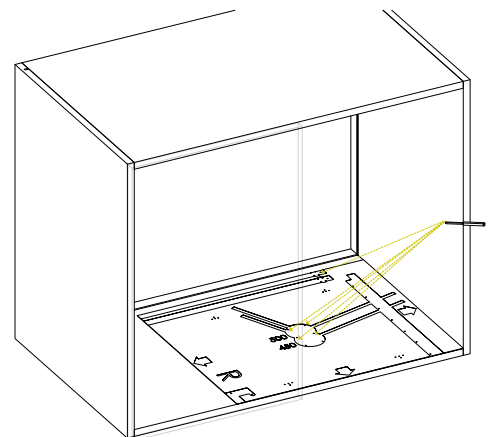
1

Pre-drilling cabinet.



	470	505
F=183	X	
G=227.5	X	X
H=272		X

C	D	E
470	454	456
505	489	491



N°6 4x16



Attach the rear frame A with the appropriate mounting template and lock the screw.

2

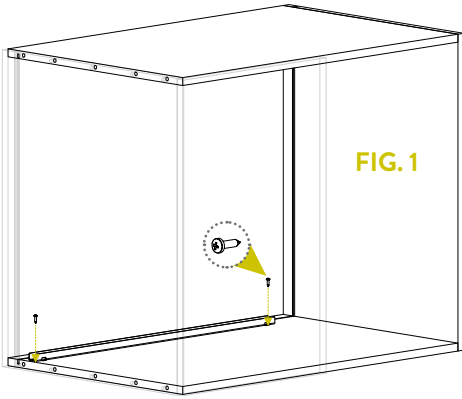


FIG. 1

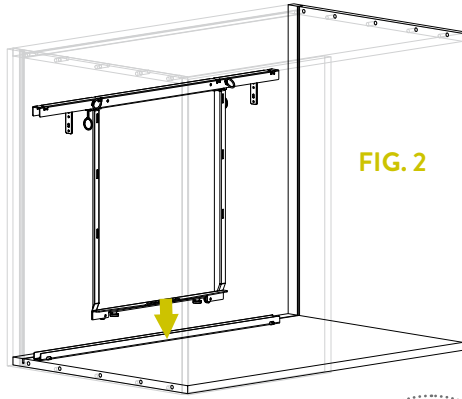


FIG. 2

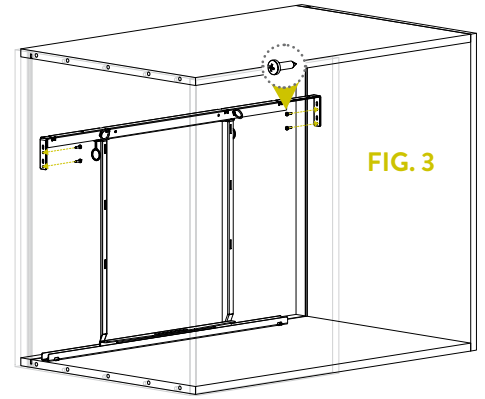


FIG. 3

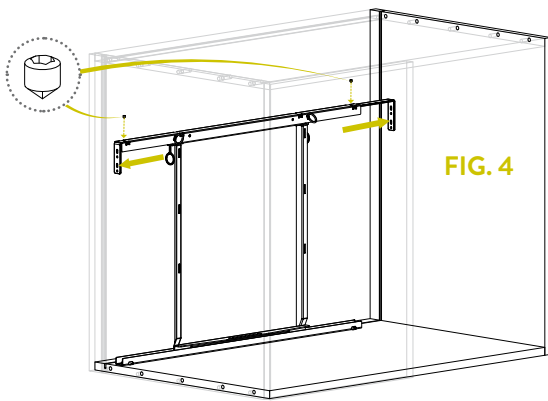


FIG. 4

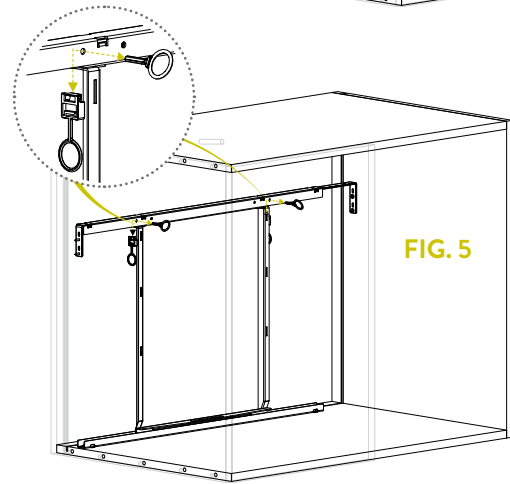


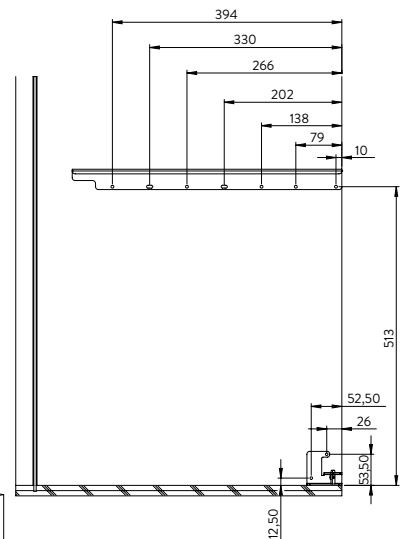
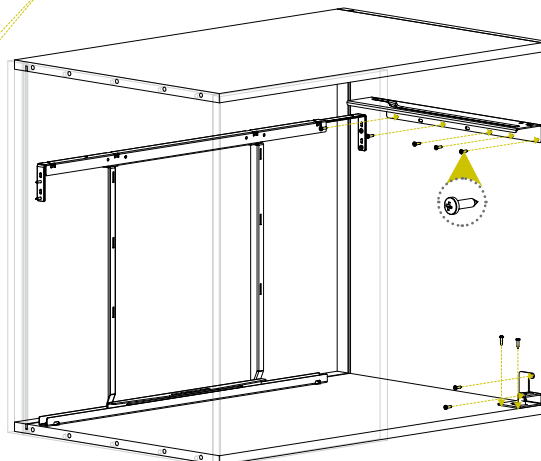
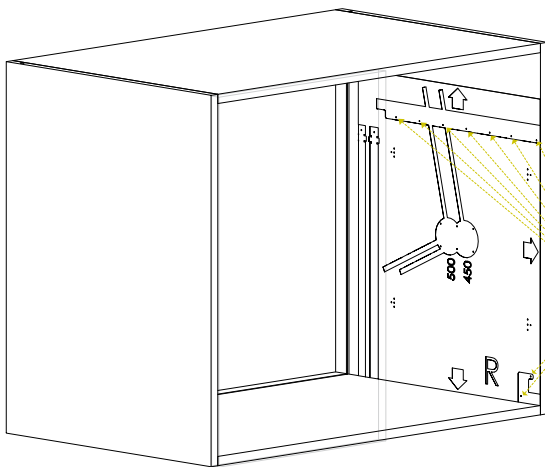
FIG. 5

N°9 4x16



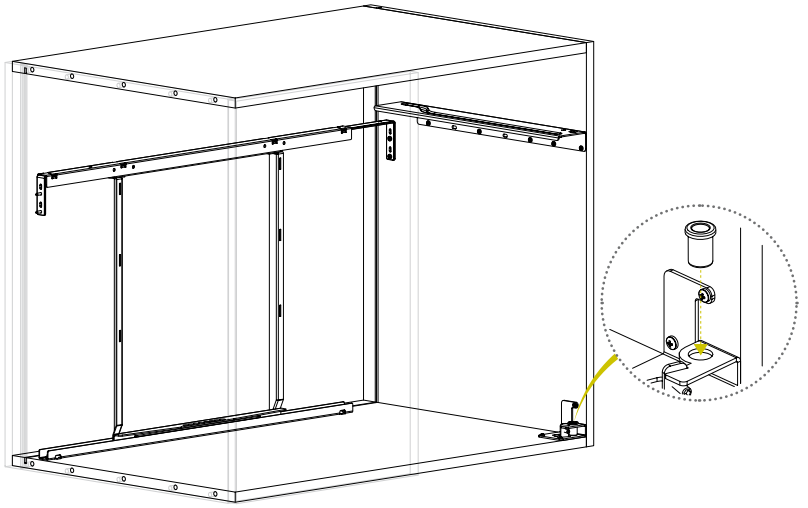
Place the particular B and F with the appropriate mounting template O.

3



4

Put the lower bushing D in the hole.



5

Put the front structure C in the frame B e F. Check if the bearing is in the track.

FIG. 1

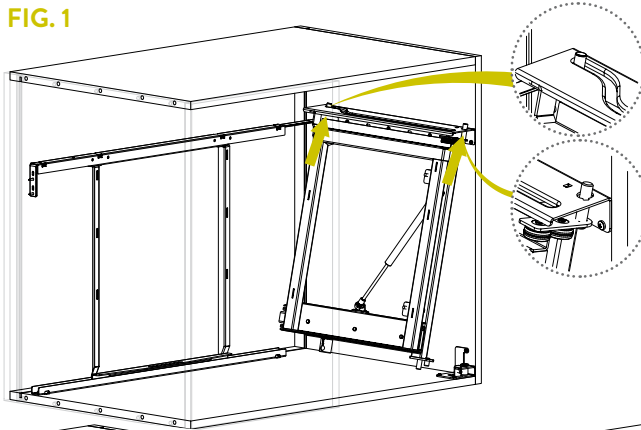


FIG. 2

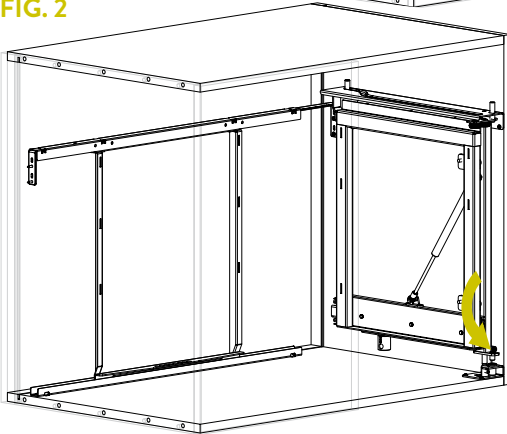
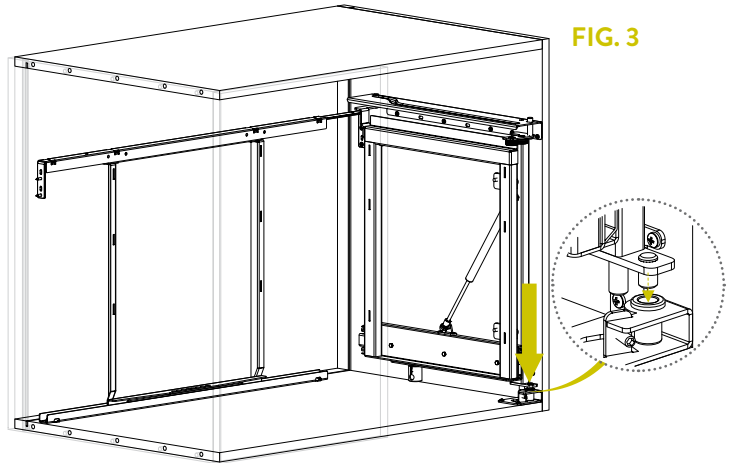
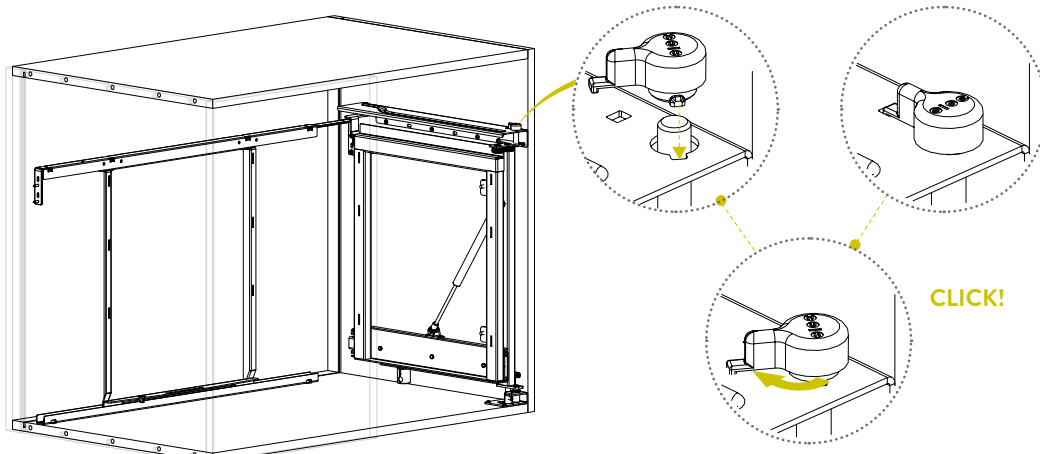


FIG. 3



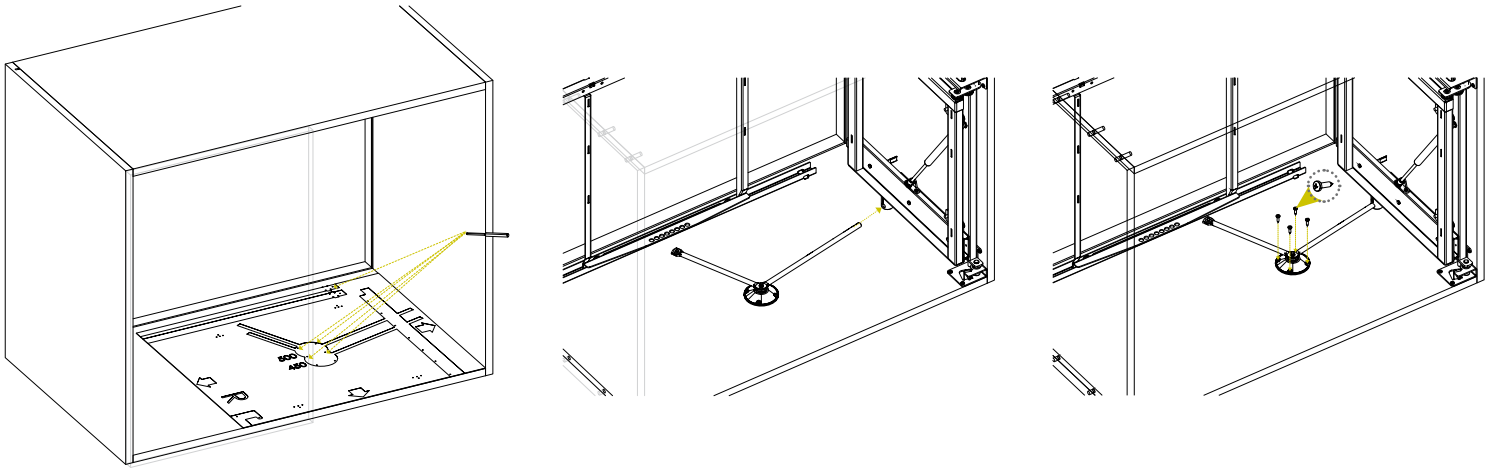
6

Fit the upper bushing E and turn clockwise until the hooking (click).



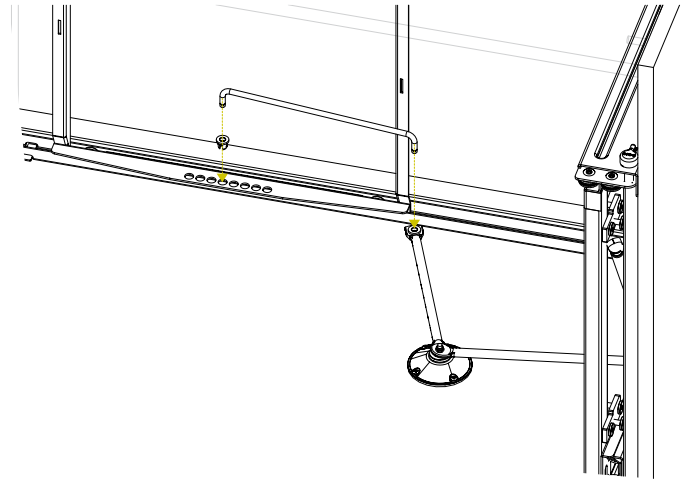
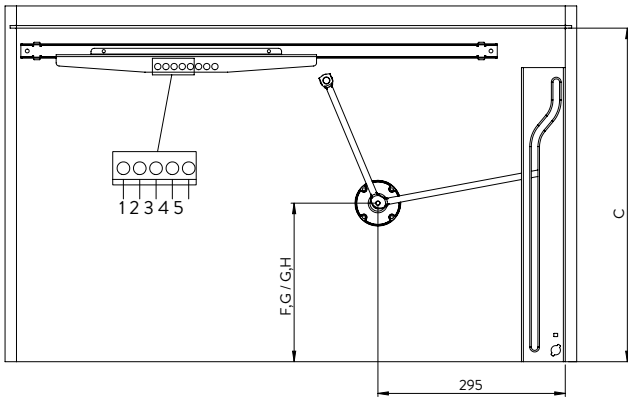
7

Screw according the mounting template.



8

Put together the post-connectors L and the linking arm M.



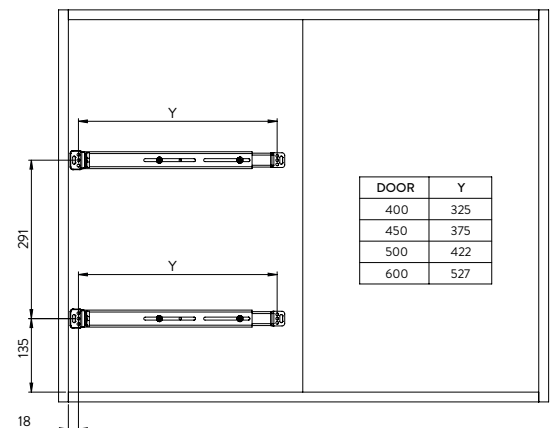
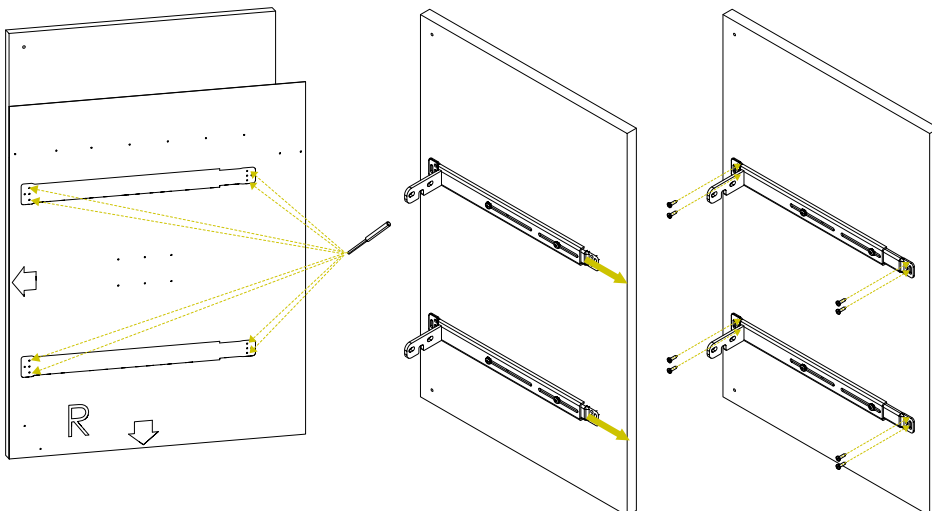
C	DEPTH	HOLES
470	F,G	2/3
505	G,H	4/5

N°8 4x16



9

Fix the front-brackets H on according to the door measures or mounting tem-plate and put it on the pulled out front structure.

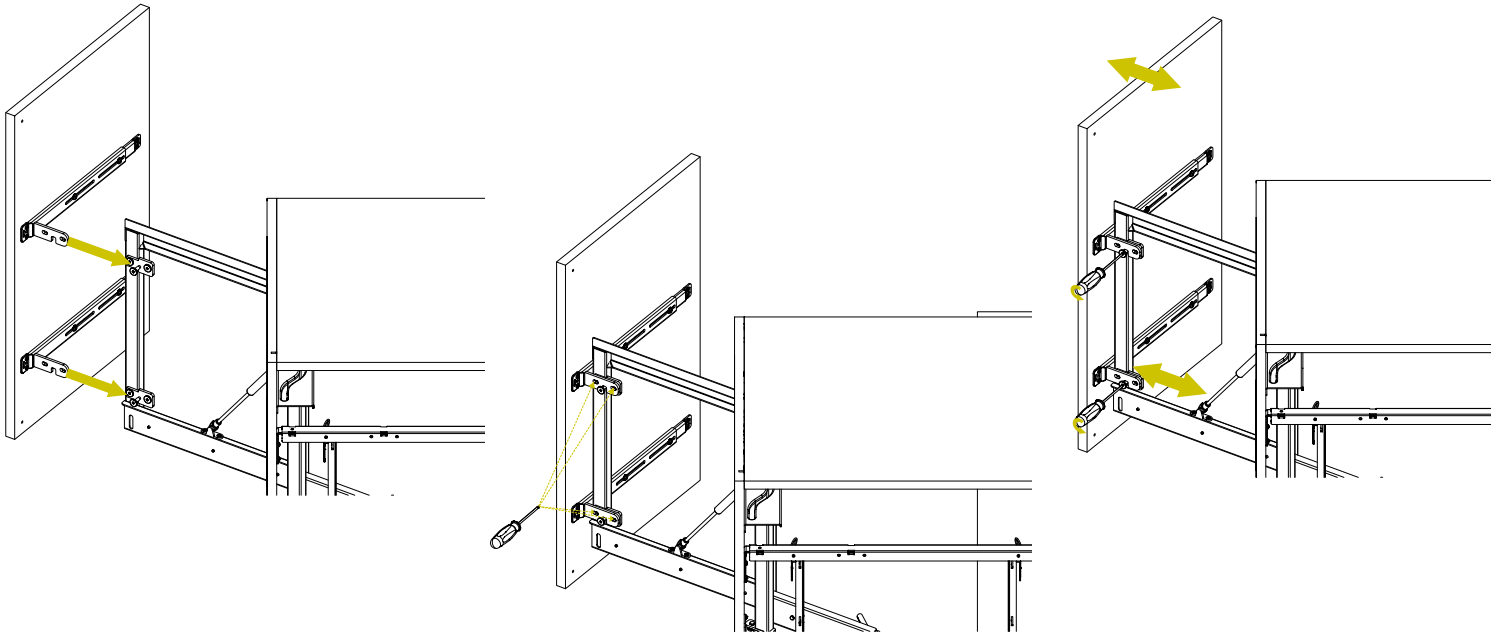


DOOR	Y
400	325
450	375
500	422
600	527



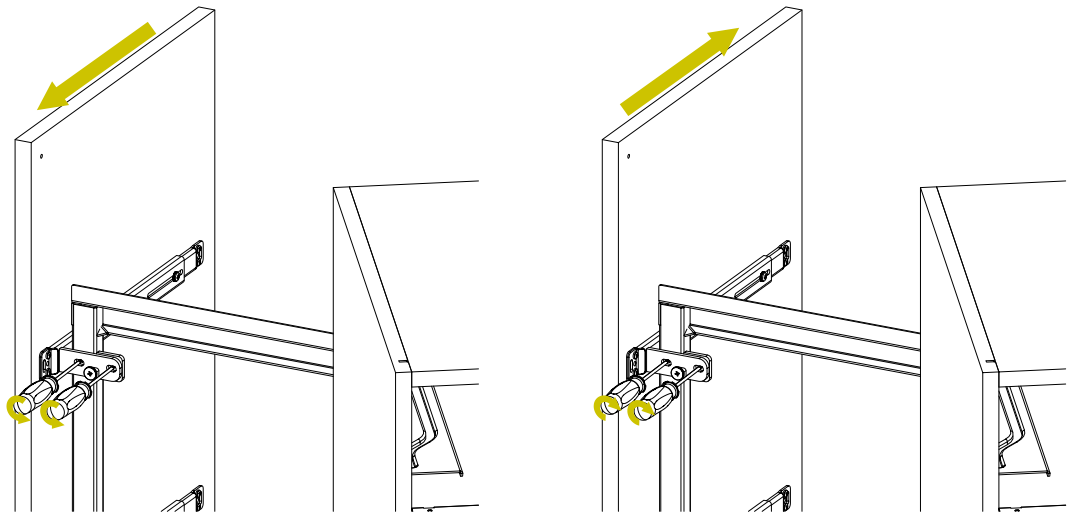
10

Mount the door on the door brackets E, then tighten the six 6.2x3.5.



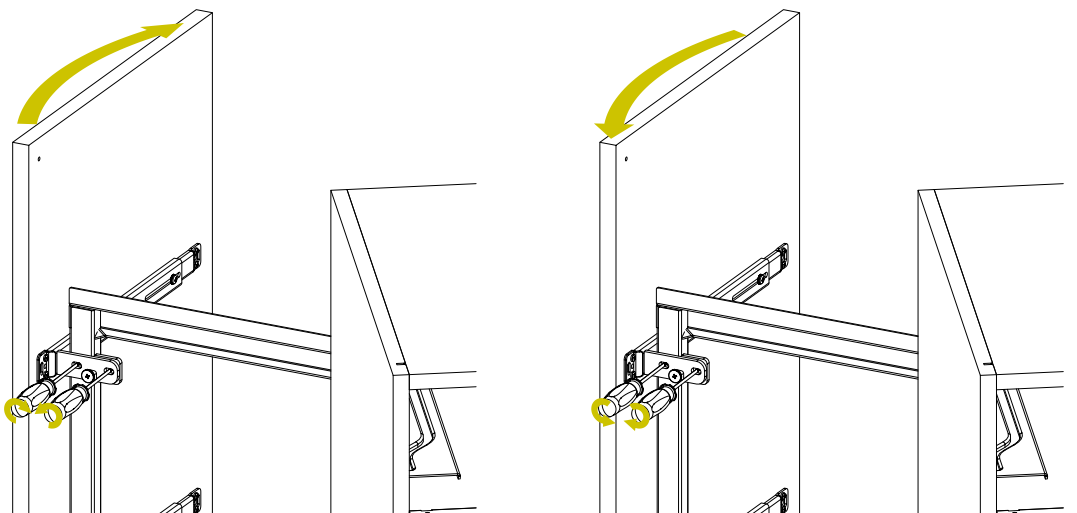
11

Make adjustments.



12

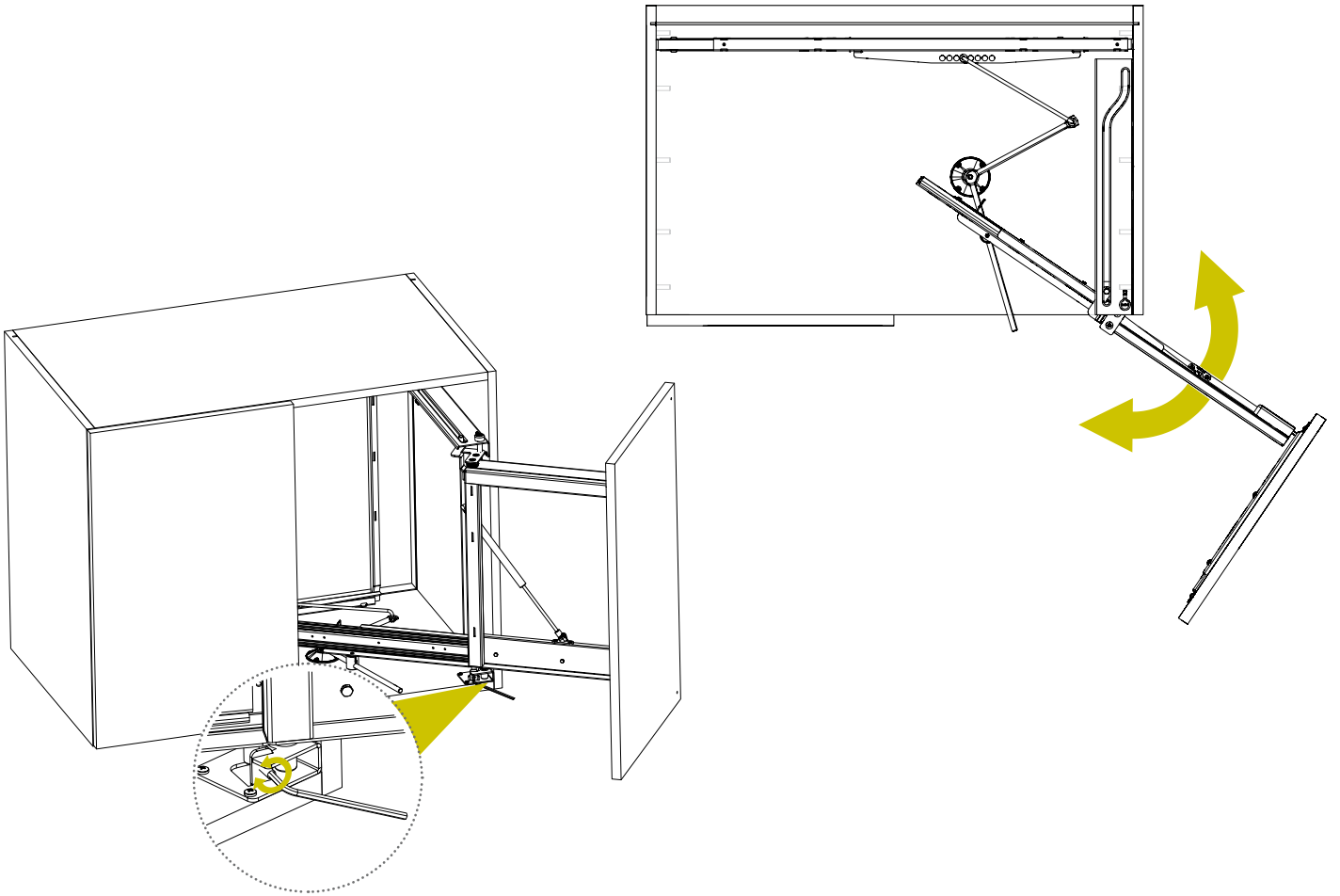
Make adjustments.





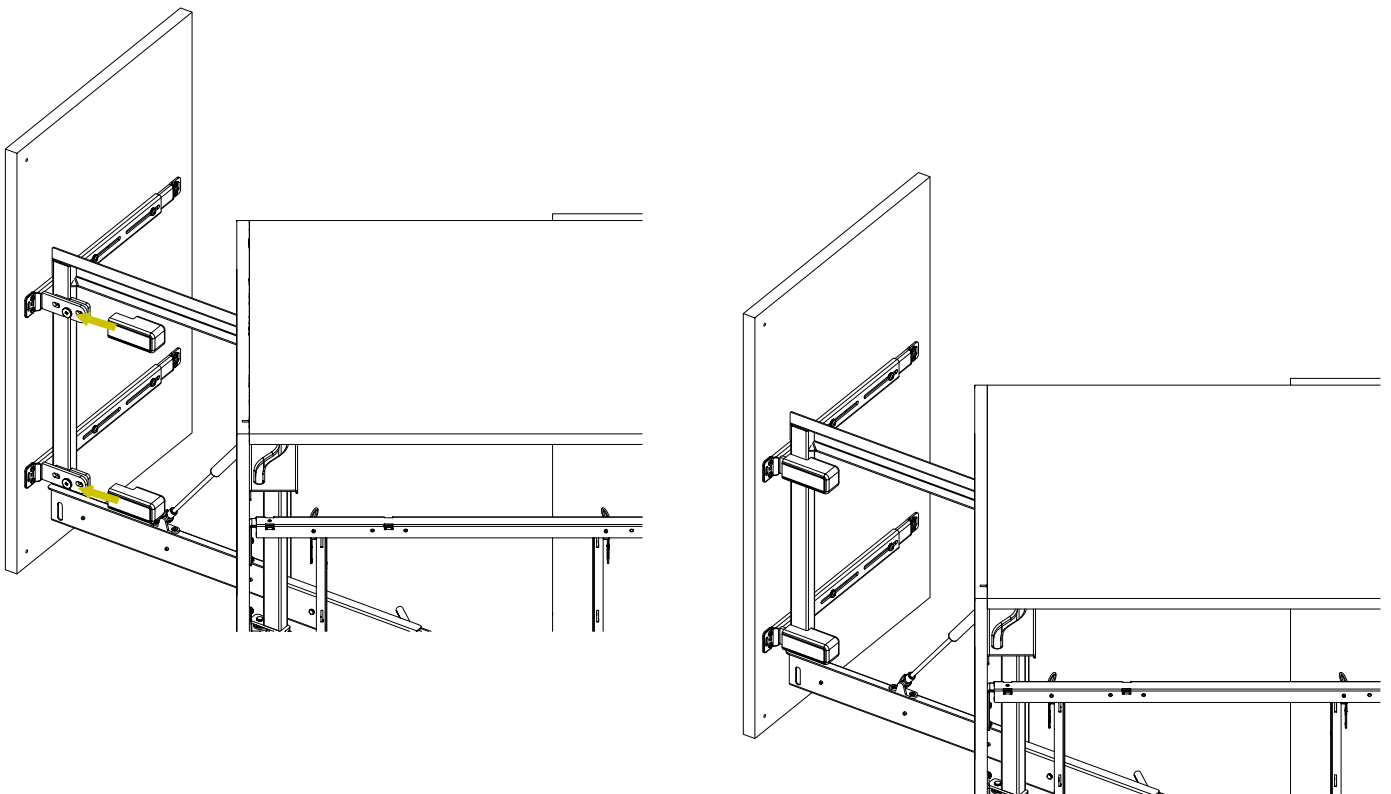
13

Perform the adjustment of opening limit using screw.



14

Put the cover N.



Insert the hooks for mounting baskets.

