

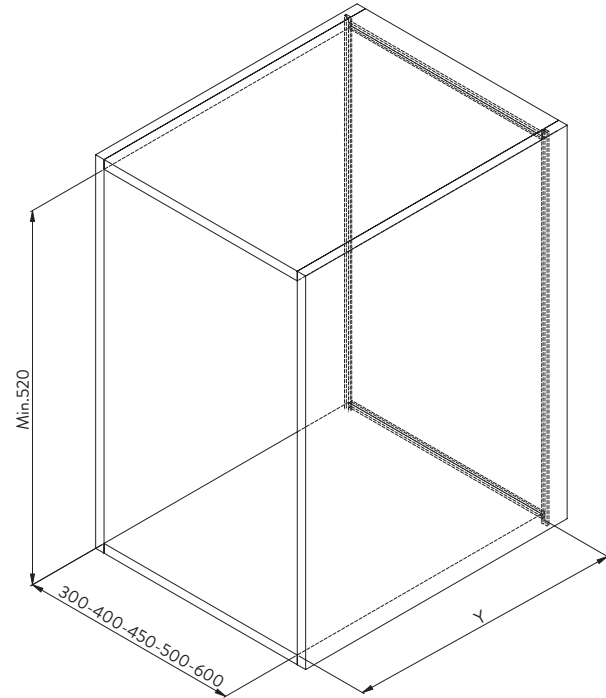


Fitting Instructions: Aura Narrow Pull Out Unit 300mm

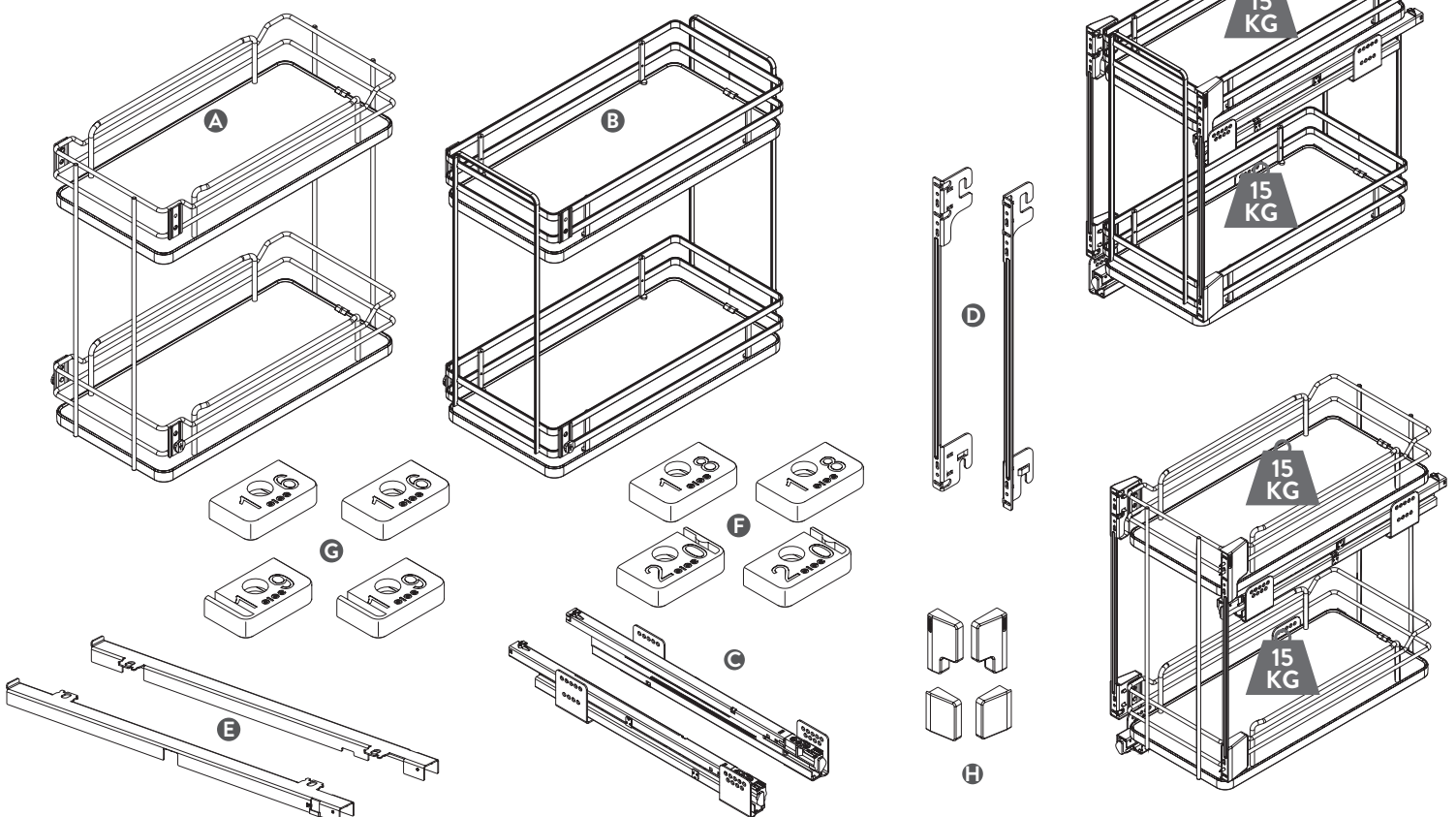
www.questhardware.co.uk
01280 822062

PARTS

- A. N°1 Basket
- B. N°1 Basket
- C. N°1 Set slides
- D. N°2 Door brackets
- E. N°1 Slides carter kit
- F. N°1 Cabinet side spacer kit 18/20mm
- G. N°4 Cabinet side spacer kit 16/19mm
- H. N°4 Kit cover



Y	SLIDES VERSION D.450	SLIDES VERSION D.500
MIN. DEPTH	445	495

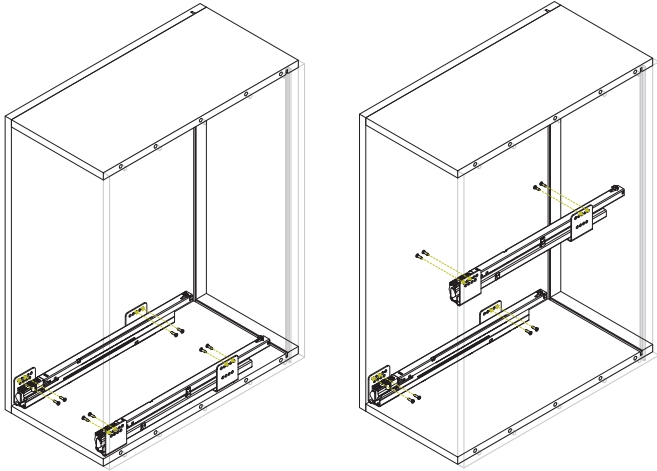


N°8 4x16

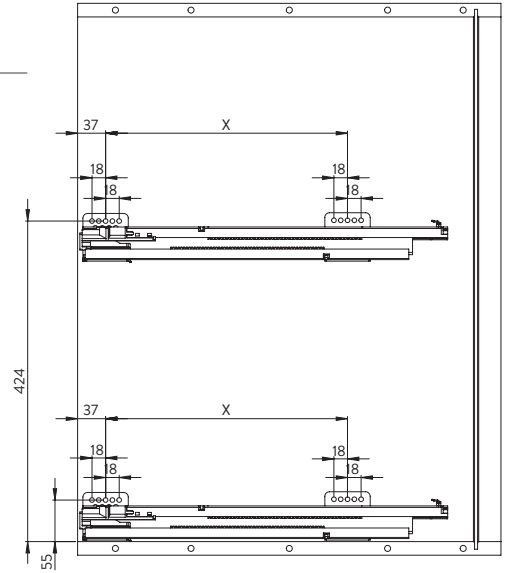


1

Place slides C respecting showed data and screw them on the cabinet's sides.
NB: It's possible to choose slides position either on top or on the bottom to suit your needs.



DEPHT SLIDES	X
450	288
500	320



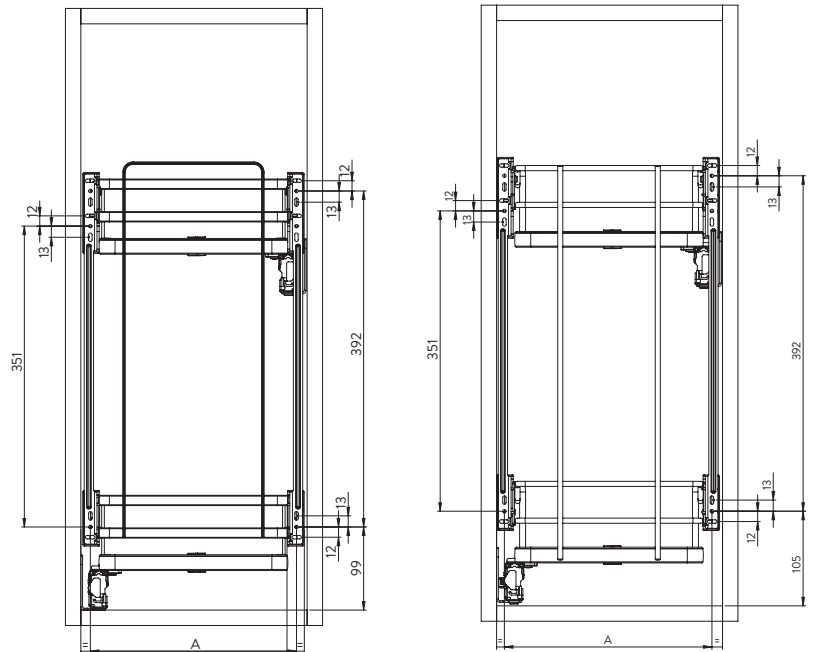
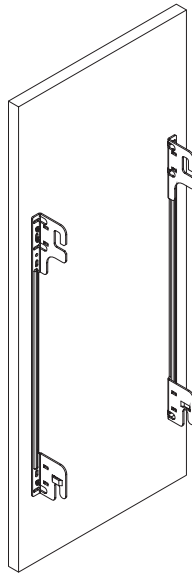
N°8 3.9x13



2

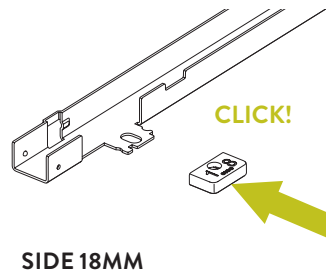
Screw D brackets on the door respecting showed data.

Icon	A
	241
	341
	391
	441
	541



3

Choose the F or G part depending on the cabinet side thickness, as shown in the table*, Insert the parts in the carter E.



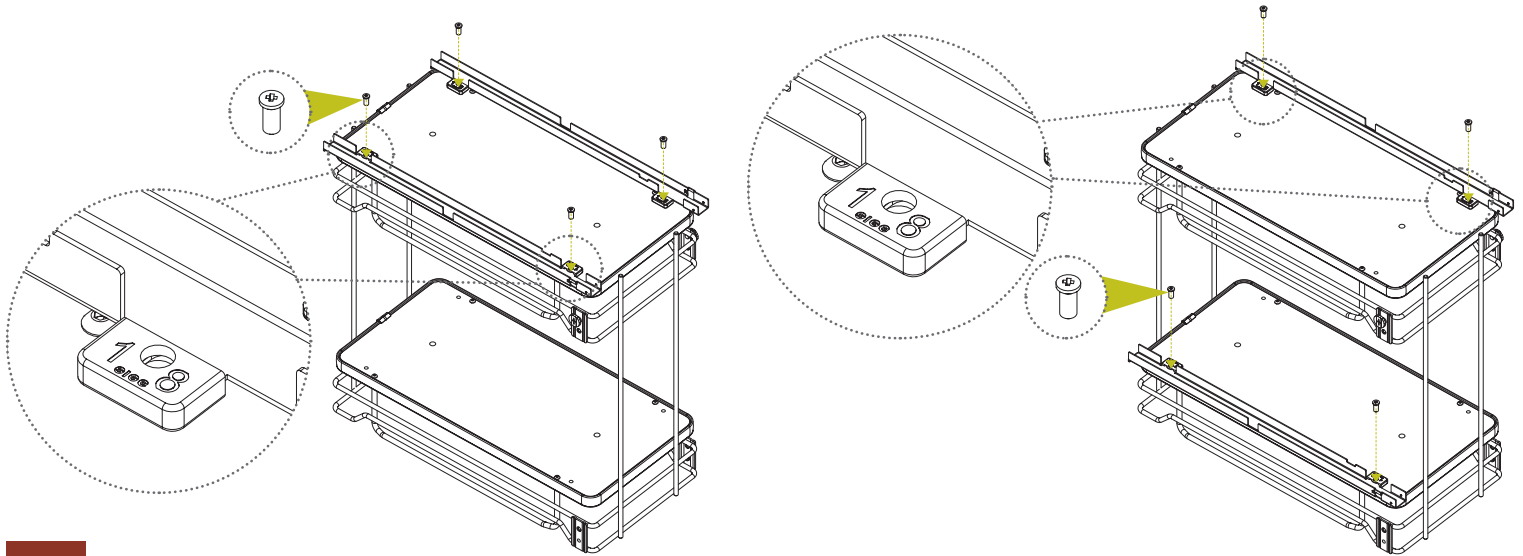
*	CABINET SIDE THICKNESS	PART
	18mm	F
	20mm	
	16mm	G
	19mm	

N°4 6.3x12



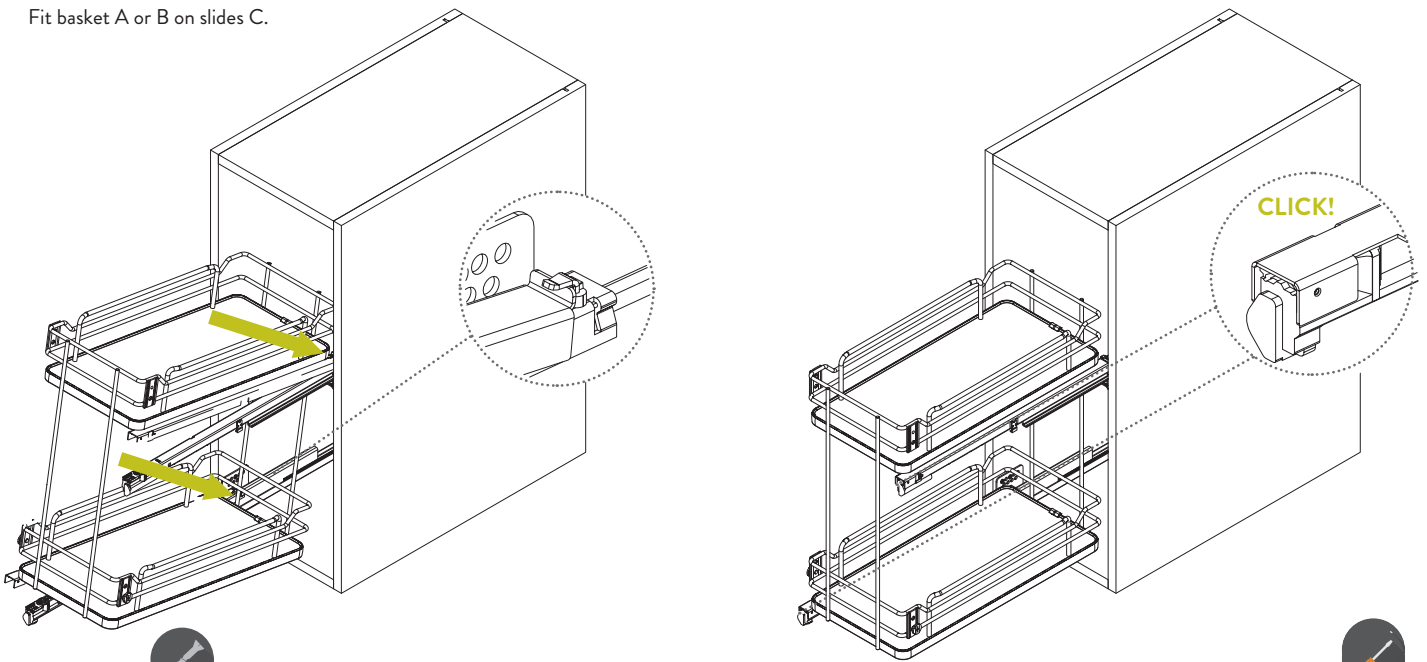
4

Screw the carter E onto the shelf using the 6.3x12. NB: Place the carter E on the shelves according to how the guides C were previously placed (see step 1).



5

Fit basket A or B on slides C.

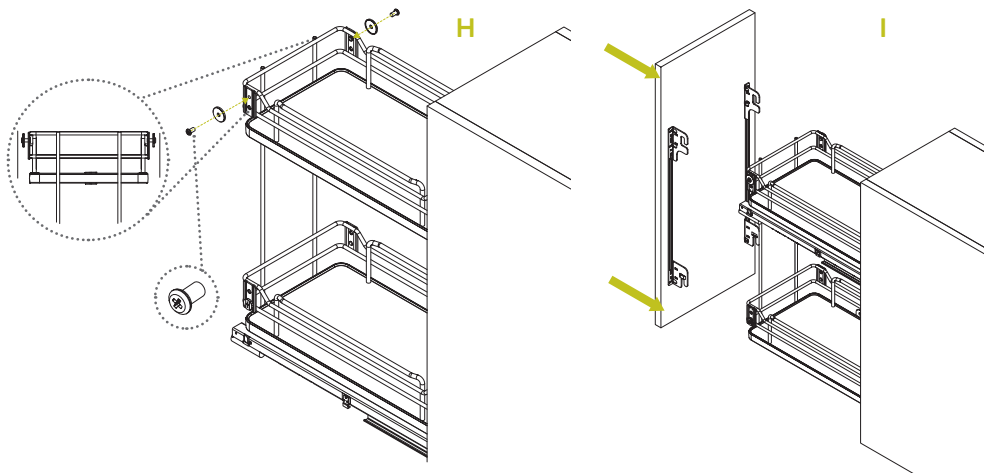


N°2 M6x10



6

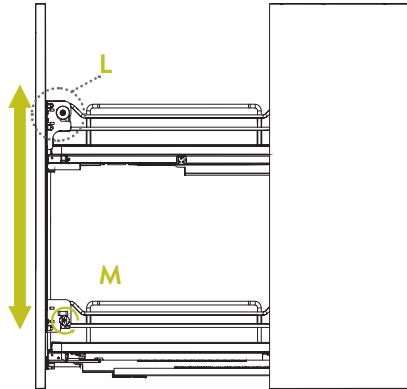
Pre-assemble the two M6x10 screws and washers as shown in fig. "H", then mount the door and tighten the screws as shown in fig. "I".





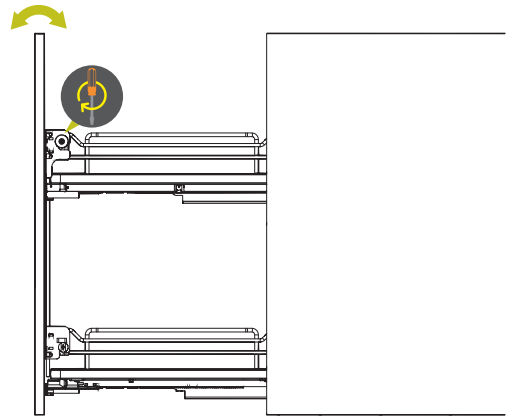
7

Loosen the four screws M6x10 "L", turn the screw "M" as shown to adjust the door up and down.



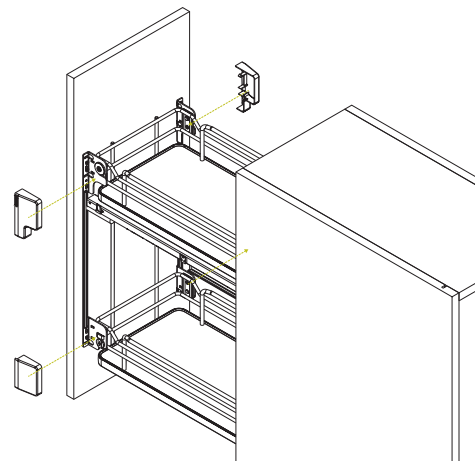
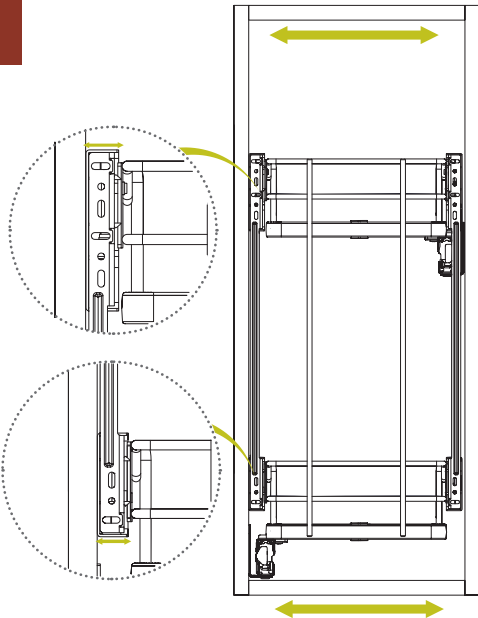
8

Loosen the four screws M6x10, to adjust the door forward and back.



9

Loosen the 3.9x13 screws, to adjust the door to the right and left and insert the four covers as shown.



OPTIONAL

Insert bottle dividers.

