



# SELECT

## Big Foot

## Adjustable Cabinet Legs

- Available in 3 sizes: 80-100mm / 100-130mm / 130-190mm
- Each leg supports up to 700kg.
- Up to 2100kg weight capacity with 3 or more legs.
- Easy adjustment even when the kitchen carcass is fully loaded
- Kits include legs and clips - fixing blocks available separately
- Single kits are available - contact to find out more



### Kits

Height	Code	Pack Contents	Outer Box Qty
80-100mm Leg Set	CFZH300	3 Legs + 2 Clips	55 Packs
	CFZH303	4 Legs + 2 Clips	40 Packs
	CFZH306	5 Legs + 2 Clips	32 Packs
100-130mm Leg Set	CFZH301	3 Legs + 2 Clips	50 Packs
	CFZH304	4 Legs + 2 Clips	35 Packs
	CFZH307	5 Legs + 2 Clips	28 Packs
130-190mm Leg Set	CFZH302	3 Legs + 2 Clips	40 Packs
	CFZH305	4 Legs + 2 Clips	28 Packs
	CFZH308	5 Legs + 2 Clips	22 Packs



### Fixing Blocks

Code	Type	Box Qty
CFZH309	Screw-on Base	175
CFZH310	Knock-in Base 4x10mm Dowels	200
CFZH311	Knock-in Base 1x15mm Dowel	175



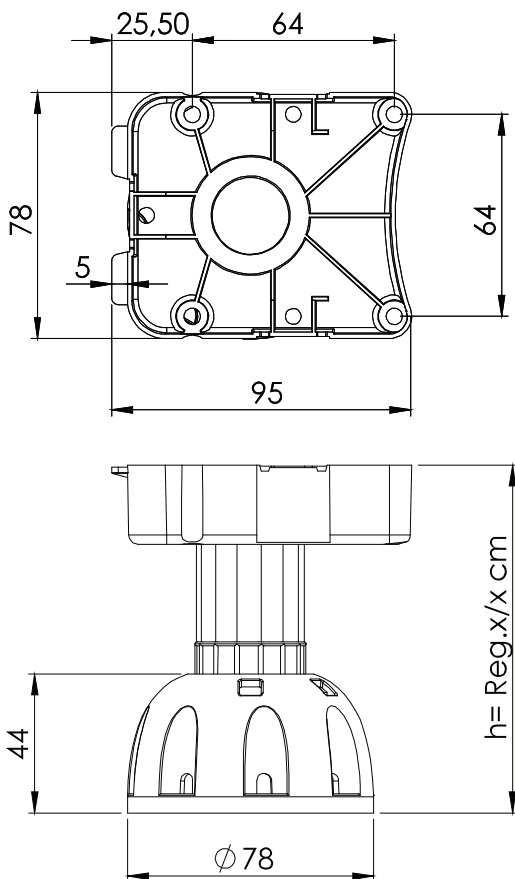
# SELECT

Big Foot

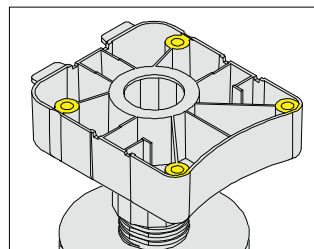
Adjustable  
Cabinet Legs



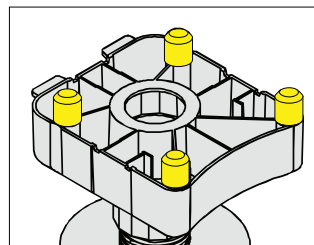
Technical Drawing



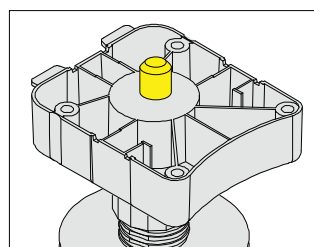
Bases



Screw-on Base



Knock-in Base  
4x10mm Dowels



Knock-in Base  
1x15mm Dowel



# SELECT

## Big Foot

Plinth Clips

