



SELECT

Big Foot





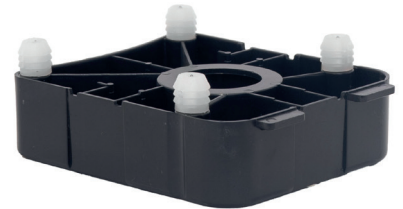
Adjustable Cabinet Legs

- Available in 3 sizes:
80-100mm / 100-130mm / 130-190mm
- Each leg supports up to 700kg.
- Up to 2100kg weight capacity with 3 or more legs.
- Easy adjustment even when the kitchen carcass is fully loaded



Bulk Purchase

Bases



Type	Code	Outer Box Qty	Type	Code	Outer Box Qty	Type	Code	Outer Box Qty
Screw-in Base	CFZH309	175	Knock-in Base 1x15mm Dowel	CFZH311	175	Knock-in Base 4x10mm Dowel	CFZH310	200

Single Kits
without Bases



Height	Code	Pack Contents	Outer Box Qty
80-100mm Leg Set	CFZH300	3 Legs + 2 Clips	55 Packs
	CFZH303	4 Legs + 2 Clips	40 Packs
	CFZH306	5 Legs + 2 Clips	32 Packs
100-130mm Leg Set	CFZH301	3 Legs + 2 Clips	50 Packs
	CFZH304	4 Legs + 2 Clips	35 Packs
	CFZH307	5 Legs + 2 Clips	28 Packs
130-190mm Leg Set	CFZH302	3 Legs + 2 Clips	40 Packs
	CFZH305	4 Legs + 2 Clips	35 Packs
	CFZH308	5 Legs + 2 Clips	22 Packs



Per Cabinet Kits

Screw in Base



Legs	Height	Code	Pack Contents
3 Leg Sets	80-100mm	CFZH300/SOB	3 Legs + 2 Clips + 3 Screw in Base
4 Leg Sets	80-100mm	CFZH303/SOB	4 Legs + 2 Clips + 4 Screw in Base
5 Leg Sets	80-100mm	CFZH305/SOB	5 Legs + 2 Clips + 5 Screw in Base
3 Leg Sets	100-130mm	CFZH301/SOB	3 Legs + 2 Clips + 3 Screw in Base
4 Leg Sets	100-130mm	CFZH304/SOB	4 Legs + 2 Clips + 4 Screw in Base
5 Leg Sets	100-130mm	CFZH307/SOB	5 Legs + 2 Clips + 5 Screw in Base
3 Leg Sets	130-190mm	CFZH302/SOB	3 Legs + 2 Clips + 3 Screw in Base
4 Leg Sets	130-190mm	CFZH305/SOB	4 Legs + 2 Clips + 4 Screw in Base
5 Leg Sets	130-190mm	CFZH308/SOB	5 Legs + 2 Clips + 5 Screw in Base

Knock-in Base
1x15mm Dowel



Legs	Height	Code	Pack Contents
3 Leg Sets	80-100mm	CFZH300/1D	3 Legs + 2 Clips + 3 Knock-in Bases 1x15mm Dowel
4 Leg Sets	80-100mm	CFZH303/1D	4 Legs + 2 Clips + 4 Knock-in Bases 1x15mm Dowel
5 Leg Sets	80-100mm	CFZH306/1D	5 Legs + 2 Clips + 5 Knock-in Bases 1x15mm Dowel
3 Leg Sets	100-130mm	CFZH301/1D	3 Legs + 2 Clips + 3 Knock-in Bases 1x15mm Dowel
4 Leg Sets	100-130mm	CFZH304/1D	4 Legs + 2 Clips + 4 Knock-in Bases 1x15mm Dowel
5 Leg Sets	100-130mm	CFZH307/1D	5 Legs + 2 Clips + 5 Knock-in Bases 1x15mm Dowel
3 Leg Sets	130-190mm	CFZH302/1D	3 Legs + 2 Clips + 3 Knock-in Bases 1x15mm Dowel
4 Leg Sets	130-190mm	CFZH304/1D	4 Legs + 2 Clips + 4 Knock-in Bases 1x15mm Dowel
5 Leg Sets	130-190mm	CFZH308/1D	5 Legs + 2 Clips + 5 Knock-in Bases 1x15mm Dowel

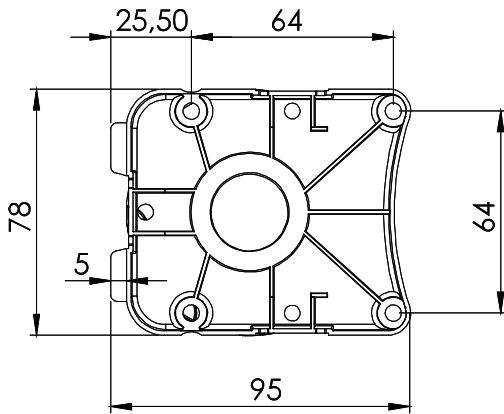
Knock-in Base
4x10mm Dowel



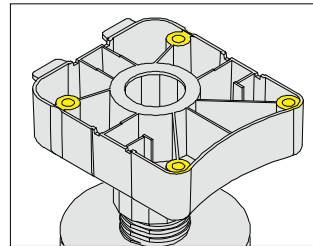
Legs	Height	Code	Pack Contents
3 Leg Sets	80-100mm	CFZH300/4D	3 Legs + 2 Clips + 3 Knock-in Bases 4x10mm Dowel
4 Leg Sets	80-100mm	CFZH303/4D	4 Legs + 2 Clips + 4 Knock-in Bases 4x10mm Dowel
5 Leg Sets	80-100mm	CFZH306/4D	5 Legs + 2 Clips + 5 Knock-in Bases 4x10mm Dowel
3 Leg Sets	100-130mm	CFZH301/4D	3 Legs + 2 Clips + 3 Knock-in Bases 4x10mm Dowel
4 Leg Sets	100-130mm	CFZH304/4D	4 Legs + 2 Clips + 4 Knock-in Bases 4x10mm Dowel
5 Leg Sets	100-130mm	CFZH307/4D	5 Legs + 2 Clips + 5 Knock-in Bases 4x10mm Dowel
3 Leg Sets	130-190mm	CFZH302/4D	3 Legs + 2 Clips + 3 Knock-in Bases 4x10mm Dowel
4 Leg Sets	130-190mm	CFZH304/4D	4 Legs + 2 Clips + 4 Knock-in Bases 4x10mm Dowel
5 Leg Sets	130-190mm	CFZH308/4D	5 Legs + 2 Clips + 5 Knock-in Bases 4x10mm Dowel



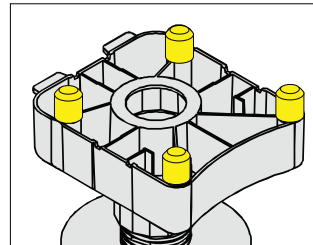
Technical Drawing



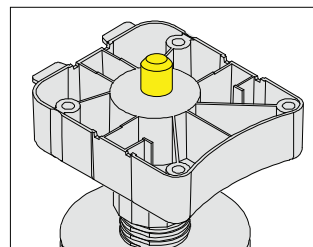
Bases



Screw-on Base



Knock-in Base
4x10mm Dowels



Knock-in Base
1x15mm Dowel

Plinth Clips

