

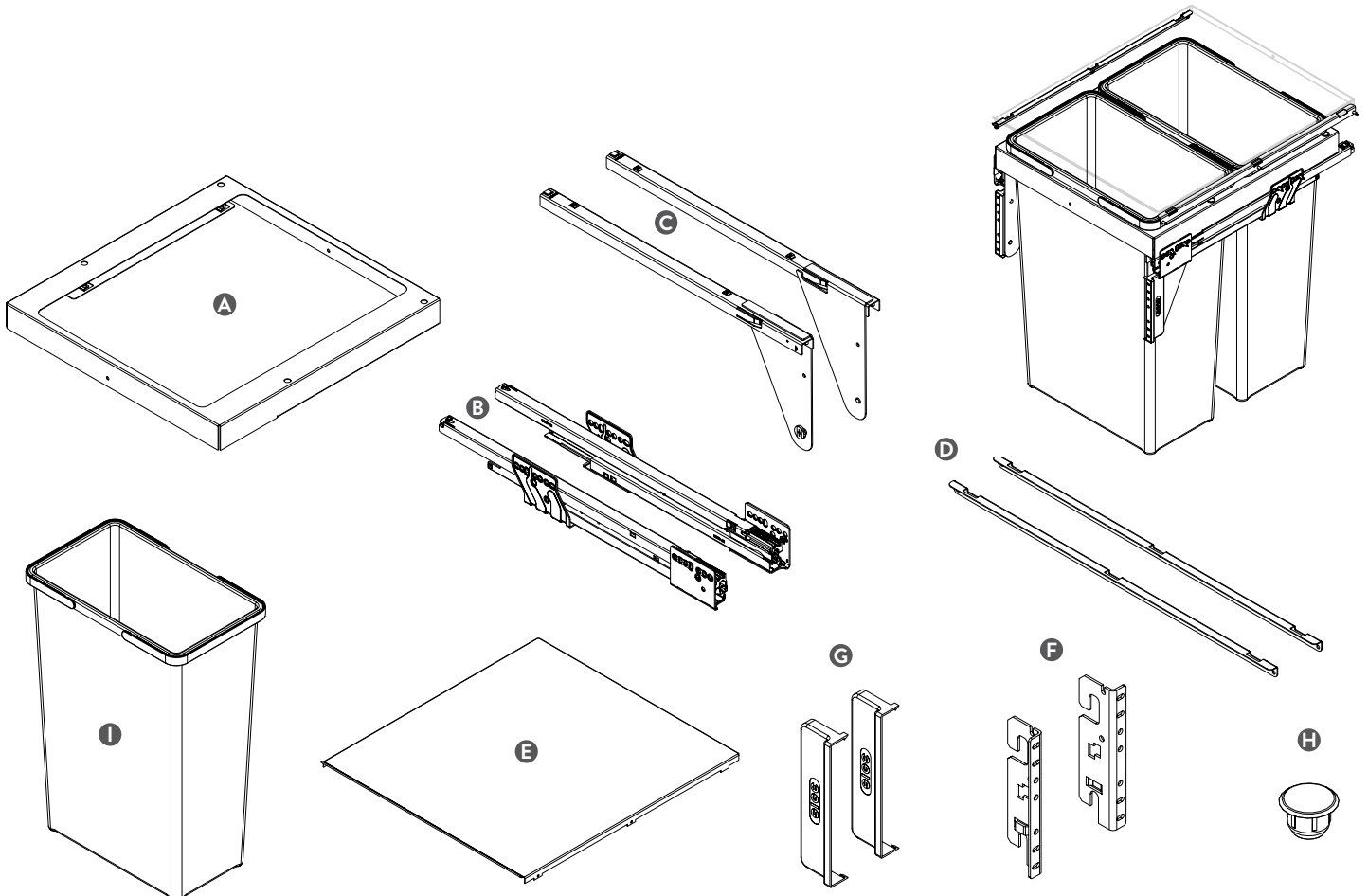
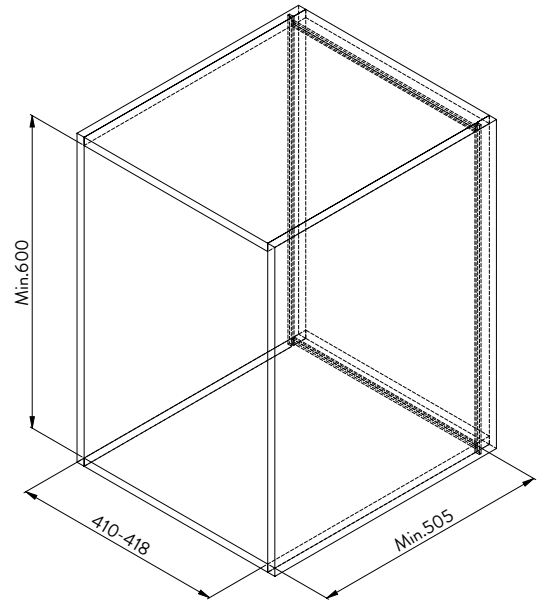


# Fitting Instructions: SELECT Euro Waste Bin 450mm

www.questhardware.co.uk  
01280 822062

## PARTS

- A. N°1 Metal box
- B. N°1 Kit grass slides
- C. N°1 Kit slide cover
- D. N°2 Metal plate lid holder
- E. N°1 Lid
- F. N°1 Kit door fixing brackets
- G. N°2 Door fixing cover
- H. N°4 Stopper
- I. N°2 Wastebin Lt.35

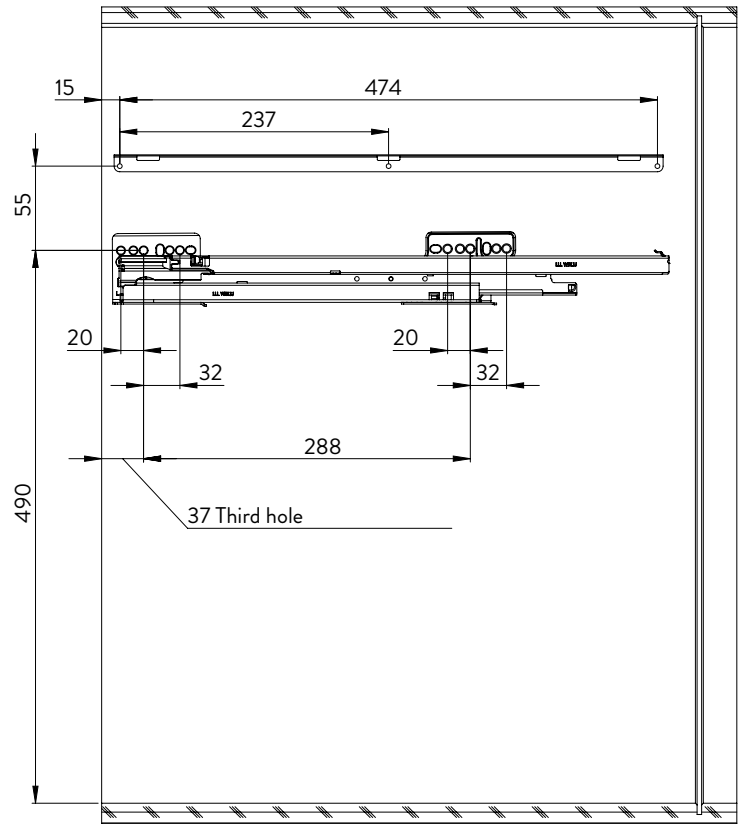
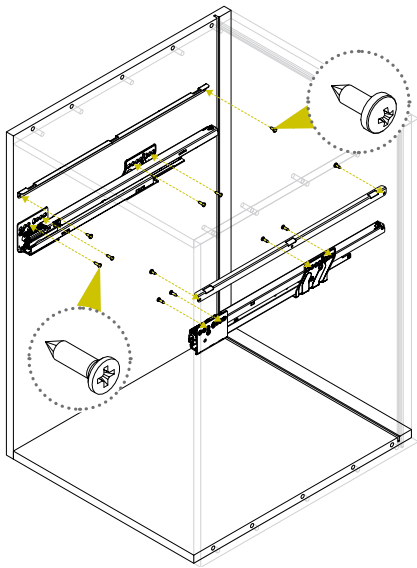


N°4 3,9x13 N°8 4x16



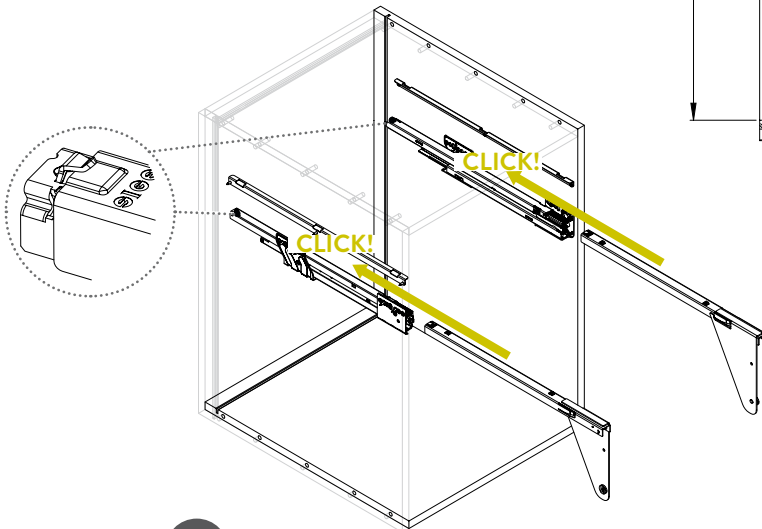
1

Fix the Grass slides C and the metal plate lid holder D according to the dimensions.



2

Put the kit slide carter C into the Grass slides B.

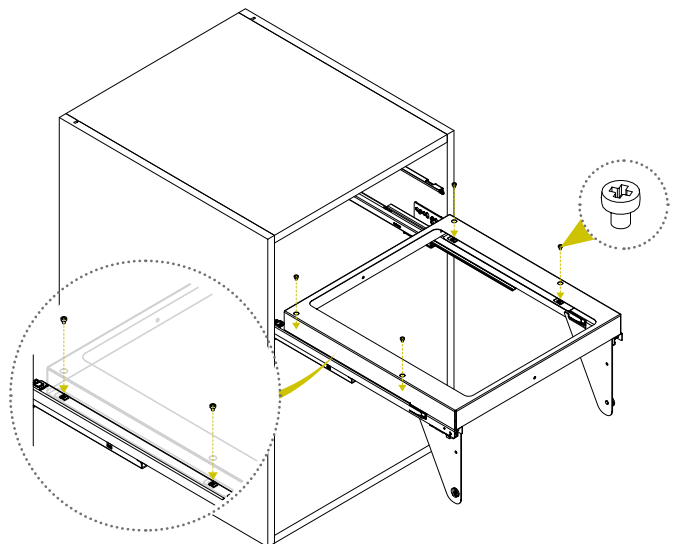
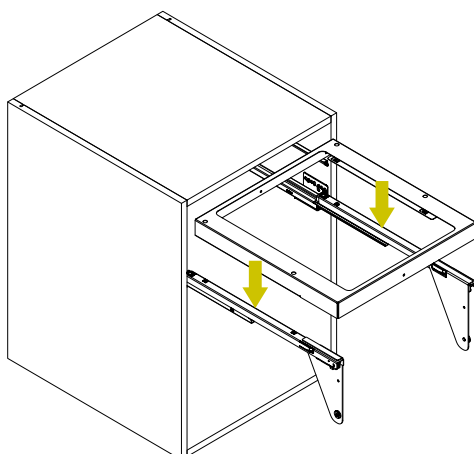


N°4 M4x5



3

Screw the metal box A into the kit slide carter C by using the specific provided screws.

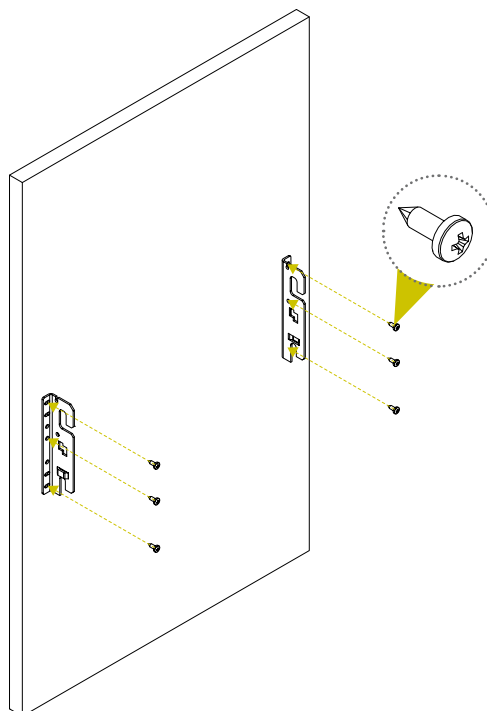
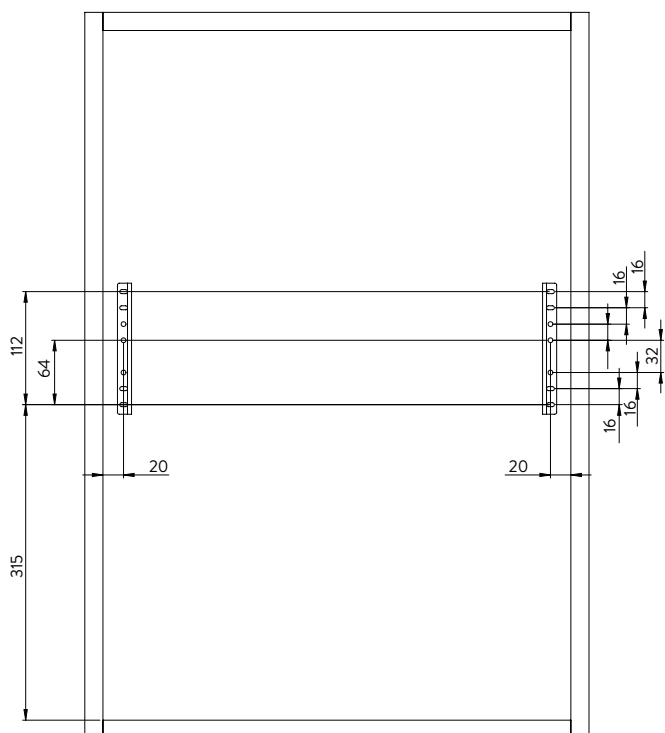


4

N°6 3,9x13



Assemble the kit door fixing brackets F according to the dimensions.

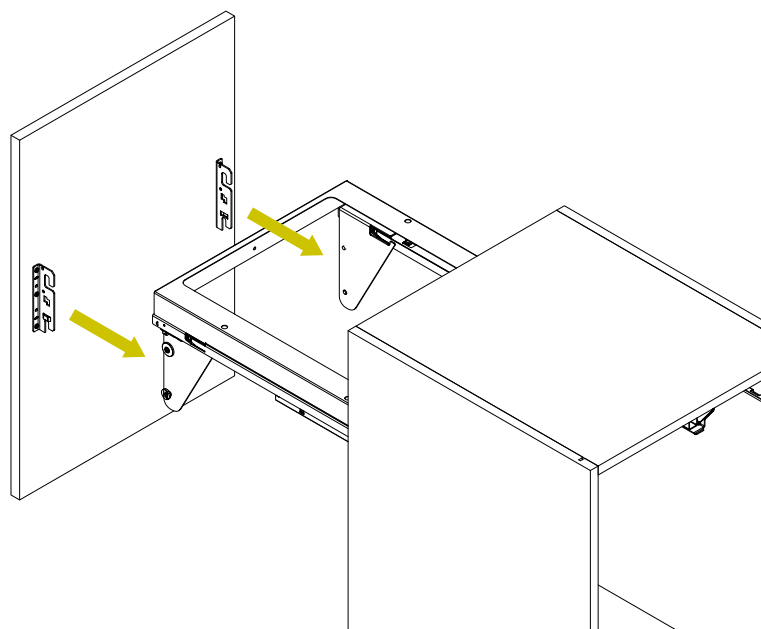
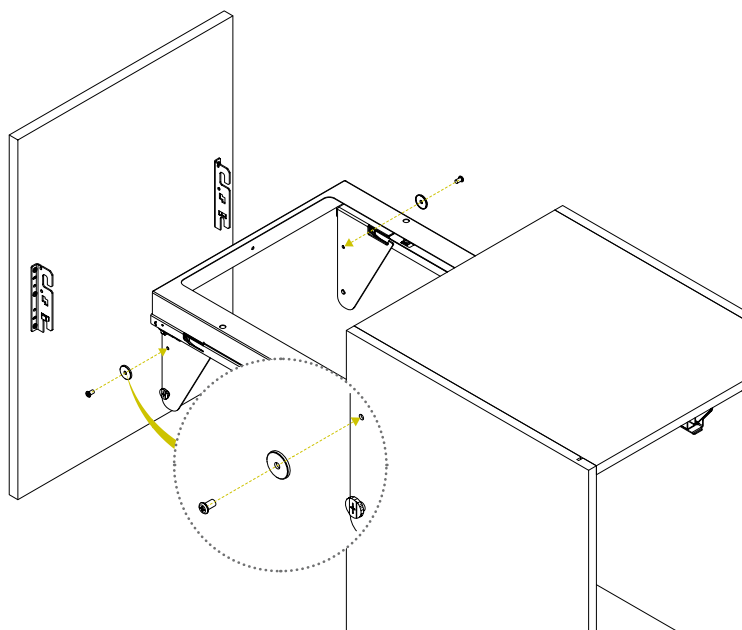


5

N°2 M6x10

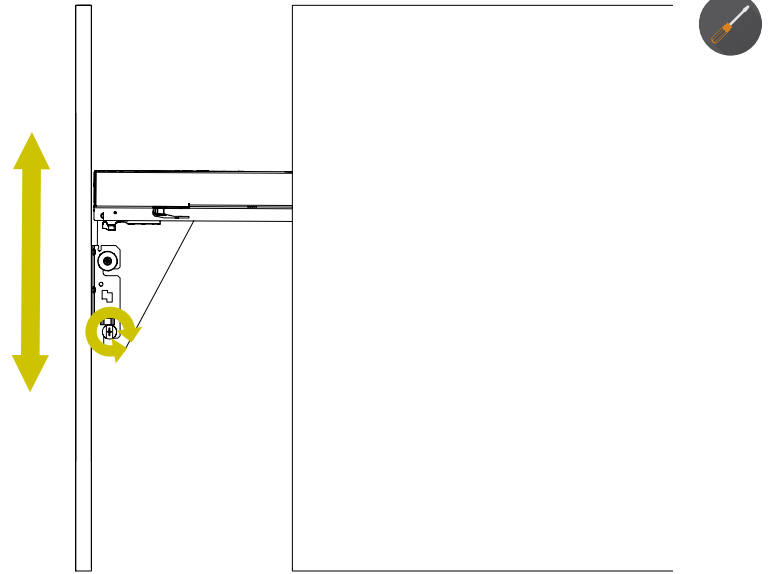


Pre-assemble the M6x10 screws and washers than mount the door on the carter C as shown.



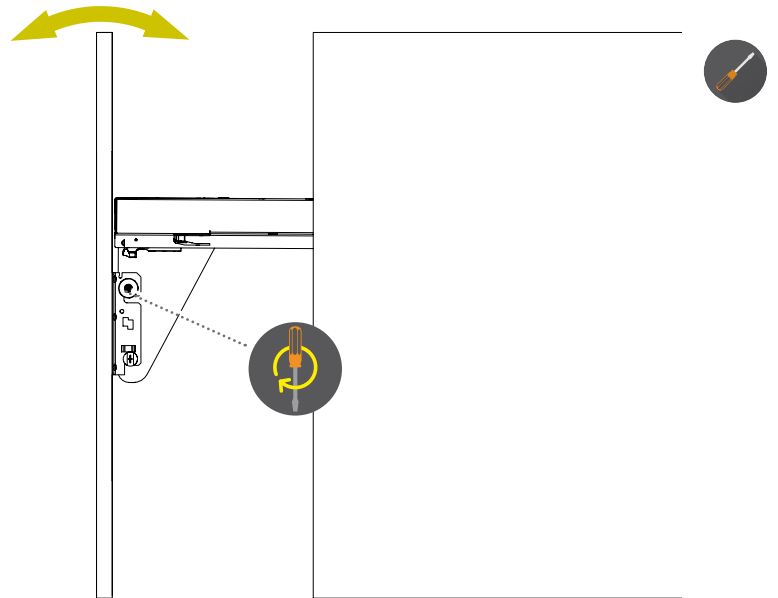
6

Adjust the door up and down by turning the eccentric screw.

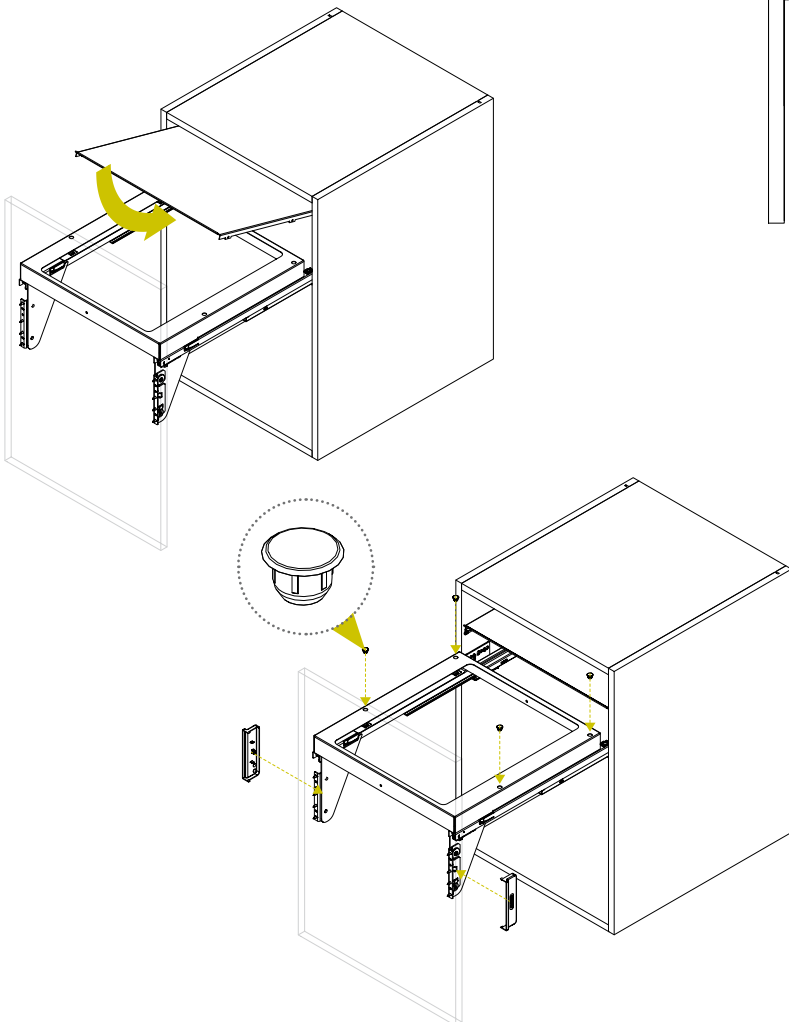


7

Adjust the door inclination to the front or to the back, than tight the two M6x10 screws.



8



9

