



Installation Manual



RF Touch Remote Single Colour Controller

This RF Touch Remote Single Colour Dimmer is an innovative LED touch remote controller. Using the latest capacitive touch technology and a unique, streamlined design, it enables smooth and intuitive remote dimming. The controller provides three single-colour channels in parallel, allowing simultaneous brightness adjustment across all channels.

It's designed with easy connectivity, stable RF transmission with minimal interference, and a long lifespan. The controller also features short-circuit protection: when a short circuit occurs, a green indicator light flashes at a set frequency. Additionally, it automatically restores functionality after a short circuit, offering a seamless user experience.

Technical Specifications: Controller

Operating Temperature: -20°C to $+60^{\circ}\text{C}$

Supply Voltage: DC 12V, or 24V

Output: 3 single-colour channels, N-MOS drain open output in parallel

Connection Mode: Common anode

Controller Dimensions: L83 x W79 x H33 mm

Package Dimensions: L205 x W134 x H47 mm

Net Weight: 227g

Gross Weight: 379g

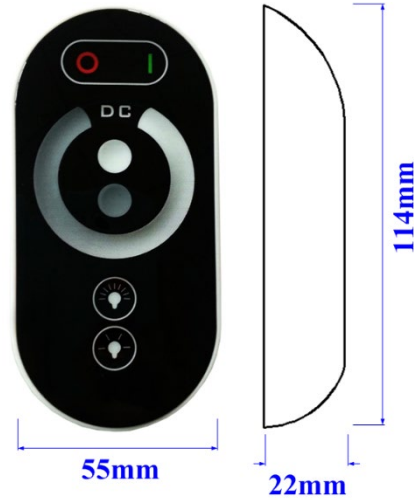
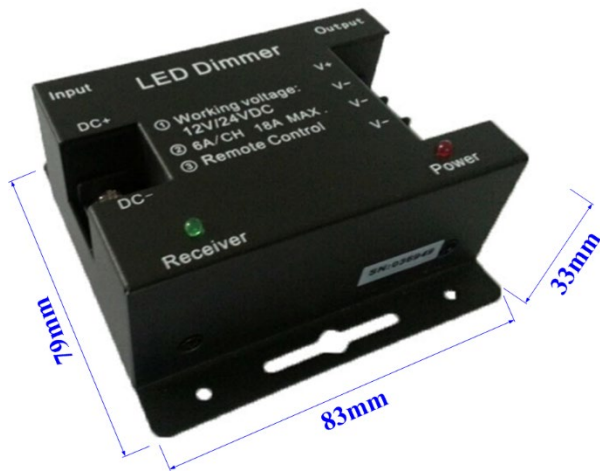
Static Power Consumption: $<1\text{W}$

Output Current: $<6\text{A}$ per channel

Output Power: 12V: $<216\text{W}$, 24V: $<432\text{W}$



Installation Manual



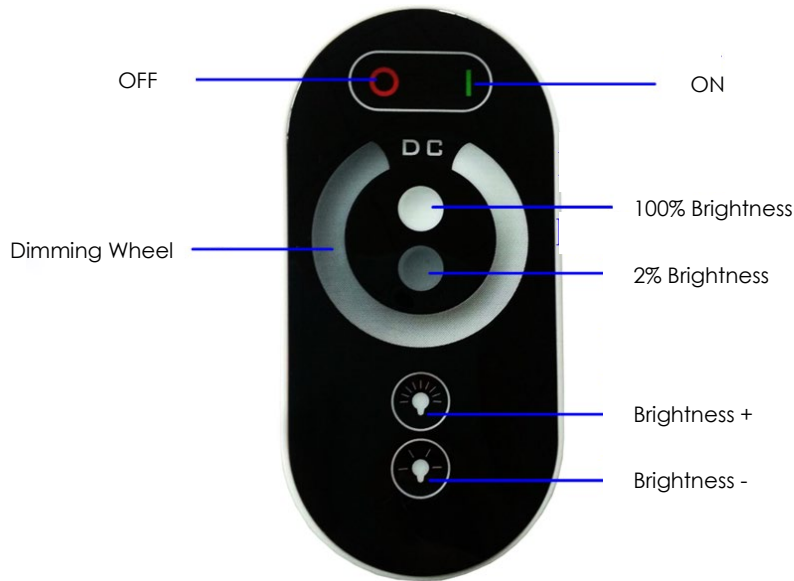
RF Touch Remote Single Colour Controller

Remote Control: Remote Control

Operating Temperature: -30°C to +60°C
Power Supply: 3 x AAA batteries
Supply Voltage: 3V
Static Power Consumption: <0.09mW
Control Range: Over 20 meters

Instructions





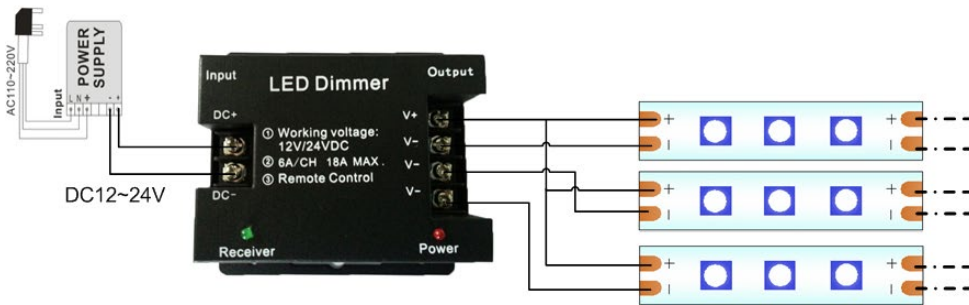
RF Touch Remote Single Colour Controller

Main Features:

1. Modern Design: Stylish and unique, with high sensitivity and a smooth feel.
2. Responsive dimming Wheel: The dimming wheel enables intuitive brightness control, with options for single-point or continuous touch to select brightness levels easily.
3. Energy Efficiency: Low power consumption and long lifespan with infinite touch capacity, surpassing traditional buttons' durability.
4. Auto Resting Function: After 20 seconds of inactivity, the remote enters a resting state, conserving battery life.
5. Short-Circuit Protection: Automatically shuts down in case of a short circuit, with flashing lights to alert the user. Output resumes automatically after 10 seconds or can be reset by disconnecting and reconnecting the power.
6. Reliable Remote Control: Stable transmission and extended remote range.

Remote Control Functions:

- Buttons: The left button turns the device off, while the right button turns it on. A light touch on these buttons will switch the device on or off.
- Brightness keys: The top button sets brightness to 100%, while the bottom button sets brightness to 2%.
- Dimming Wheel: The ring allows brightness adjustment; sliding clockwise reduces brightness while sliding counterclockwise increases brightness.
- Brightness Adjustment: Use the 'Brightness +' button to increase brightness and the 'Brightness -' button to reduce it.



RF Touch Remote Single Colour Controller



Caution

- 1、 Supply voltage of this product is DC12V~24V, never connect to others or AC220V.
- 2、 Lead wire should be connected correctly according to grade that connecting diagram.
- 3、 Overloaded is prohibit.