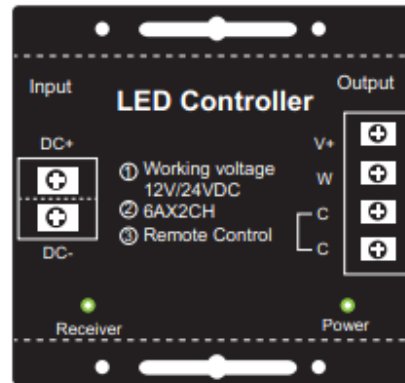




Installation Manual



## RF Touch Remote Colour Temperature Controller

This RF Touch Remote Colour Temperature Controller utilises the latest capacitive touch technology and a unique, intuitive design. It enables simple and effective remote dimming control. The controller provides two output channels, which can be adjusted simultaneously or independently.

It combines easy connectivity, stable RF transmission with minimal interference, and a long lifespan. Additionally, it includes a short-circuit protection function, where a green indicator light flashes at a fixed frequency to alert the user in case of a short circuit. It also features an automatic recovery function, adding convenience and reliability.

---

### Technical Specifications: Controller

Operating Temperature: -30°C to +60°C

Supply Voltage: DC 12V-24V

Output: 3 channels, N-MOS drain open output

Connection Mode: Common anode

Static Power Consumption: <0.5W

Output Current: 6A per channel (12A total)

Controller Dimensions: L83 x W79 x H33 mm

Package Dimensions: L205 x W135 x H45 mm

Net Weight: 168g

Gross Weight: 392g

---



## RF Touch Remote Colour Temperature Controller

### Remote Control: Remote Control

Operating Temperature: -30°C to +60°C

Power Supply: 3 x AAA batteries

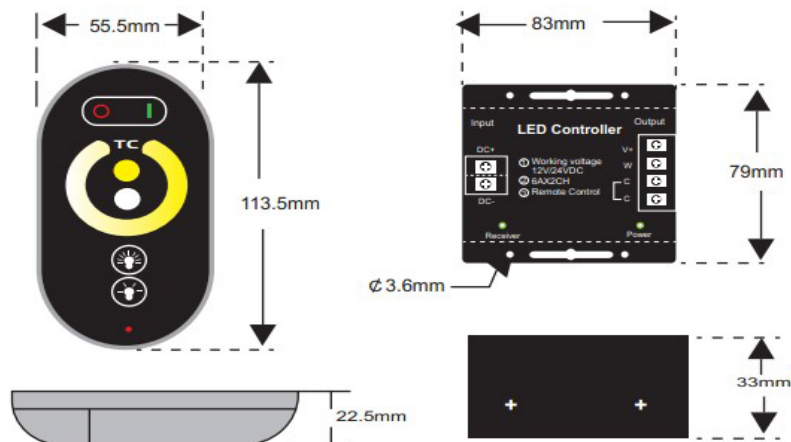
Supply Voltage: 3V

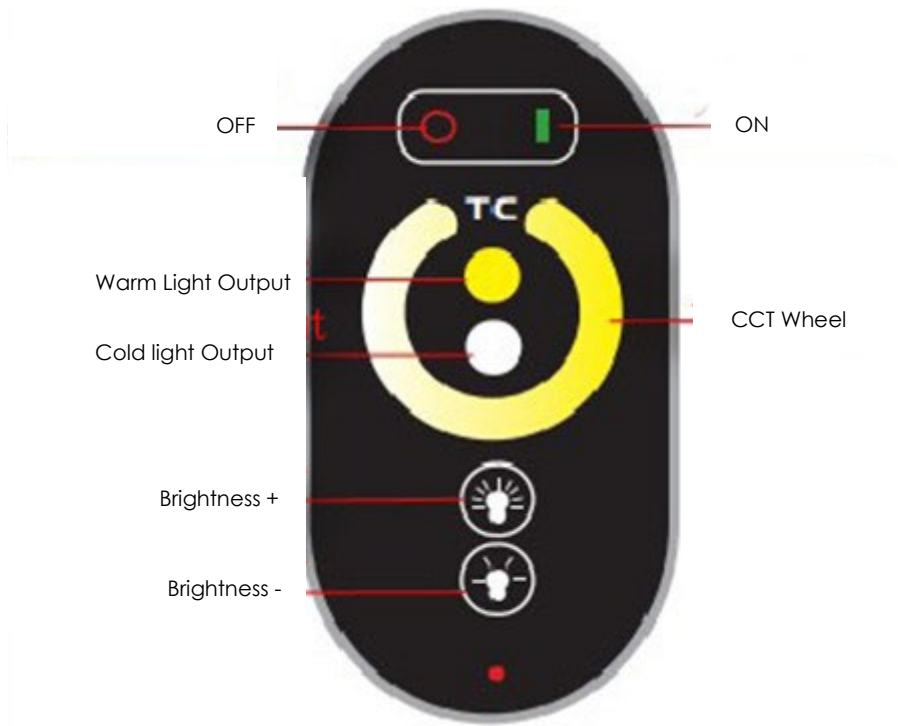
Static Power Consumption: <0.09mW

Standby Time: 6 months

Control Range: Over 20 meters

### Instructions





### RF Touch Remote Colour Temperature Controller

#### Remote Control Functions:

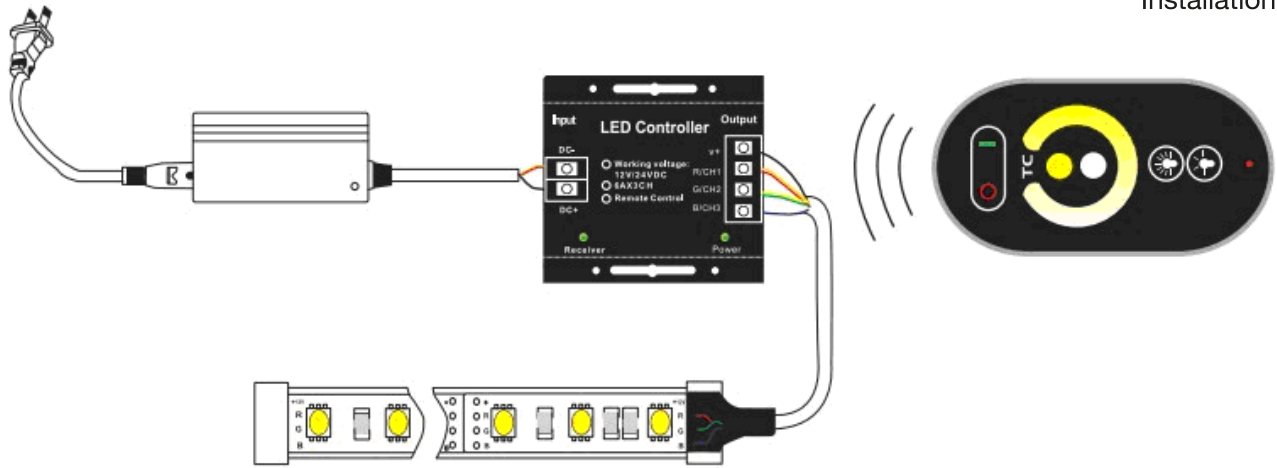
- On/Off Buttons: The left button turns the device off, and the right button turns it on.
- Warm Light Control: The top button controls the warm light output.
- Cold Light Control: The bottom button controls the cold light output.

#### CCT Wheel Functionality:

- Slide clockwise on the wheel to decrease the warm light and increase the cold light.
- Slide counterclockwise to decrease the cold light and increase the warm light.

#### Brightness Adjustment:

- Brightness + button increases brightness.
- Brightness - button decreases brightness.



### RF Touch Remote Colour Temperature Controller



#### Caution

Ensure that the power supply voltage, current, and output power match the product specifications.

Follow the connection diagram carefully: connect the load wire first, then connect the power supply. Avoid short circuits during operation.

This product has a 12-month warranty, which excludes damage caused by misuse or overloading.