



Cam & Dowels





ConX Cam

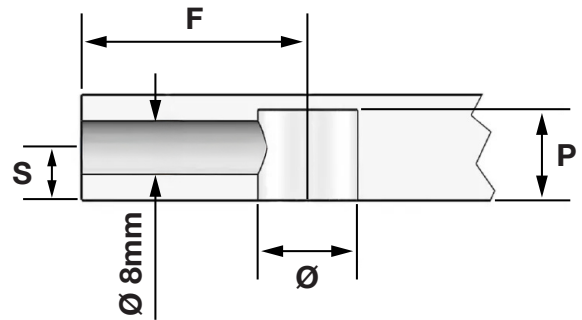
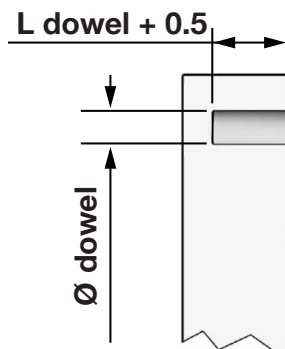
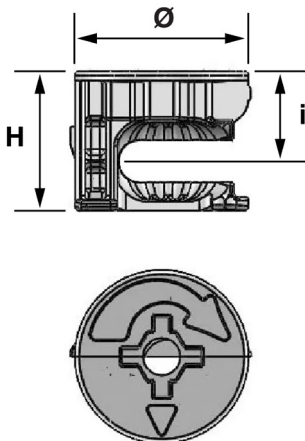
The ConX Cam is designed for secure furniture and shelving assembly. Available for 15/16mm or 18/19mm shelf thicknesses, it is compatible with all dowels in the ConX range. Manufactured from durable Zamac with a zinc-plated finish for rust resistance, it ensures reliability and ease of use. Each pack contains 2,000 pieces, making it ideal for high-volume projects.

ConX Cam Specifications

- **Material:** Zamac
- **Finish:** Zinc Plated
- **Pack Size:** 2,000 pieces
- **Compatibility:** Suitable for all dowels in the ConX range



Code	F	Ø	H	i	P	S
CFK601	15/16mm	15mm	12mm	7.75mm	12.2mm	8mm
CFK603	18/19mm	15mm	13.5mm	9.3mm	13.7mm	9.5mm





ConX Dowel

The ConX Dowel is a reliable solution for furniture assembly, designed with precision for secure and durable connections. Featuring sharp wood threads for easy screwing and an Ø8mm locking ring, it ensures a strong hold in soft chipboard. With lower dimensional tolerances and a PoziDriv 2 head for simplified screwing, the ConX Dowel is built for efficiency. Manufactured from durable iron with a galvanised finish for rust resistance, it delivers long-lasting performance. Supplied in 2,000-piece packs, it is ideal for high-volume applications.

Key Features and Benefits

- Lower dimensional tolerances for precise fitting.
- PoziDriv 2 ISO 4757 head simplifies screwing.
- Sharp wood threads ensure easy and secure assembly.
- Ø8mm locking ring provides strong hold in soft chipboard.
- Saves raw materials.
- Reduces electricity consumption.
- Minimizes cooling oil usage.

24mm Dowel

24mm Dowel Specifications

- **Drilling Dimension:** 24mm
- **Length (L1 + L):** 31.5mm
- **Material:** Iron
- **Finish:** Galvanised (FZ)
- **Pack Size:** 2,000 pieces

Code	F	Ø	L	L1
CFK604	24mm	7mm	11mm	20.5mm

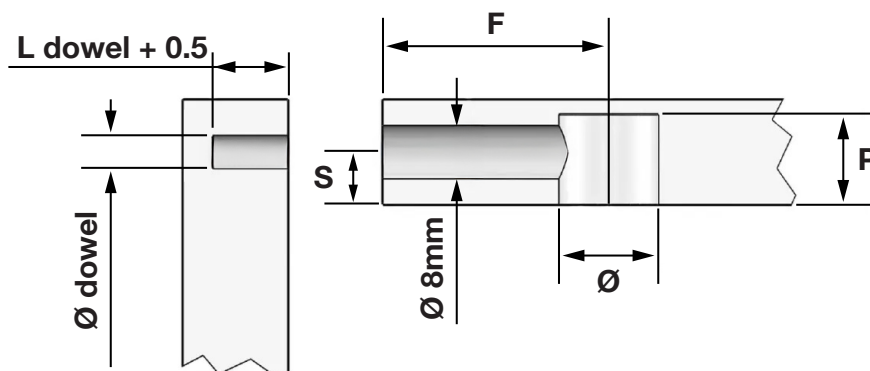
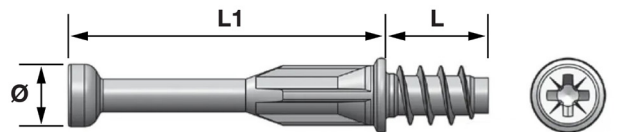


34mm Dowel

34mm Dowel Specifications

- **Drilling Dimension:** 34mm
- **Length (L1 + L):** 41.5mm
- **Material:** Iron
- **Finish:** Galvanised (FZ)
- **Pack Size:** 2,000 pieces

Code	F	Ø	L	L1
CFK605	34mm	7mm	11mm	30.5mm





ConX Tornado Dowel

The ConX Tornado Dowel is designed for precise and secure furniture assembly. With drilling dimensions of 24mm or 34mm, these dowels are engineered for strong connections and fast installation. Made from durable materials with a zinc-plated finish for rust resistance, they are ideal for soft and hardwood applications. Supplied in 2,000-piece packs, they are perfect for bulk and professional use.

24mm Tornado Dowel

24mm Tornado Dowel Specifications

- **Drilling Dimension:** 24mm
- **Overall Length (L1 + L):** 31.5mm
- **Head Diameter (Ø):** 7.5mm
- **Thread Length (F):** 11mm
- **Material:** Iron
- **Finish:** Zinc Plated
- **Pack Size:** 2,000 pieces

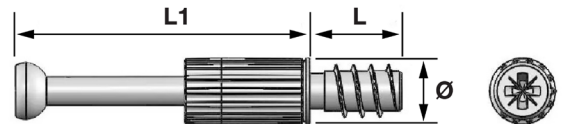


Code	F	Ø	L	L1
CFK607	24mm	7.5mm	11mm	20.5mm

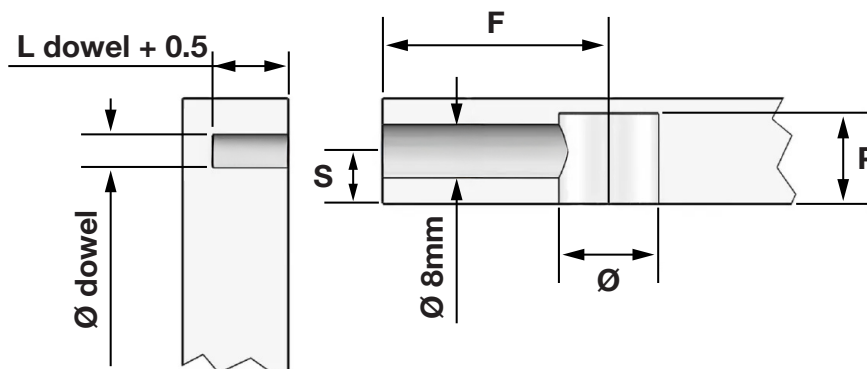
34mm Tornado Dowel

34mm Tornado Dowel Specifications

- **Drilling Dimension:** 24mm
- **Overall Length (L1 + L):** 41.5mm
- **Head Diameter (Ø):** 7.5mm
- **Thread Length (F):** 11mm
- **Material:** Iron
- **Finish:** Zinc Plated
- **Pack Size:** 2,000 pieces



Code	F	Ø	L	L1
CFK606	34mm	7.5mm	11mm	30.5mm





ConX Knock-In Dowel

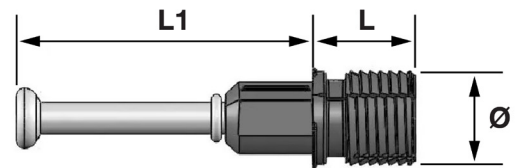
The ConX Knock-In Dowel is a quick and secure solution for furniture assembly. Designed to be tapped into pre-drilled holes, it eliminates the need for screwing while providing a strong and reliable fit. Available in 24mm or 34mm drilling dimensions, it features gripping ridges for secure fastening and an Ø8mm head for accurate alignment. Made from durable iron with a rust-resistant zinc-plated finish, it's ideal for chipboard, MDF, and similar materials. Supplied in packs of 2,000, perfect for bulk assembly projects.

24mm Knock-In Dowel

24mm Knock-In Dowel Specifications

- **Drilling Dimension:** 24mm
- **Total Length (L + L1):** 29.5mm
- **Head Diameter (Ø):** 8mm
- **Thread Length (F):** 24mm
- **Material:** Iron
- **Finish:** Zinc Plated
- **Pack Size:** 2,000 pieces
- **Weight per Pack:** 7.0kg

Code	F	Ø	L	L1
CFK609	24mm	8mm	11mm	18.5mm



34mm Knock-In Dowel

34mm Knock-In Dowel Specifications

- **Drilling Dimension:** 34mm
- **Total Length (L + L1):** 39.5mm
- **Head Diameter (Ø):** 8mm
- **Thread Length (F):** 34mm
- **Material:** Iron
- **Finish:** Zinc Plated
- **Pack Size:** 2,000 pieces
- **Weight per Pack:** 8.7kg

Code	F	Ø	L	L1
CFK610	34mm	8mm	11mm	28.5mm

