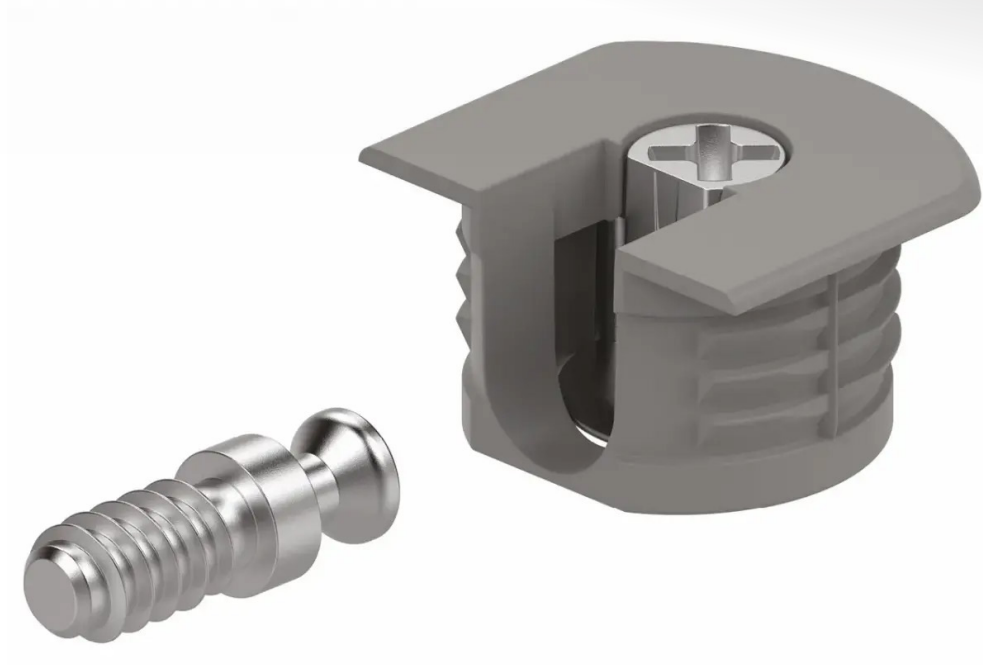
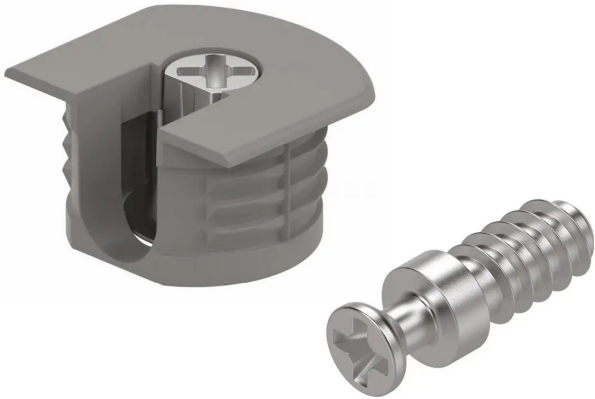




## Panel Connectors



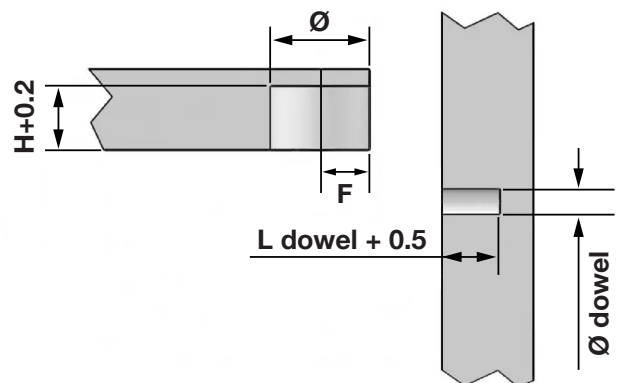
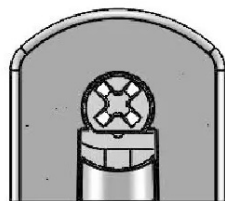
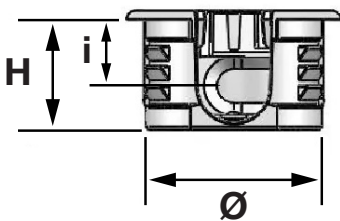
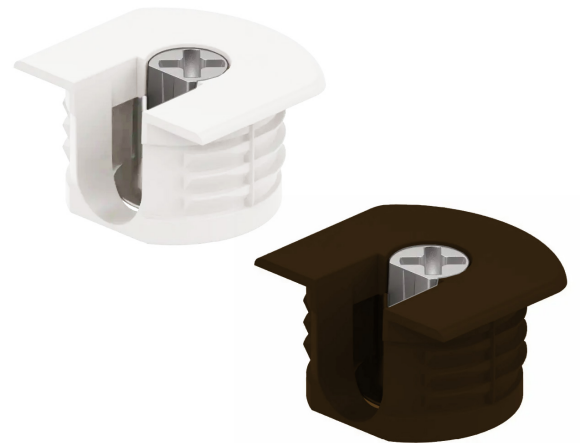


## Connector Housing

### Connector Housing Specifications

- **Material:** Zinc Alloy & Plastic
- **Finish:** White or Brown
- **Pack Size:** 3,000 pieces

Code	Ø	F	H	i	Shelf Thickness	Finish
CFK611	20mm	9.5mm	12.5mm	8mm	15/16mm	White
CFK612	20mm	9.5mm	12.5mm	8mm	15/16mm	Brown
CFK613	20mm	9.5mm	14mm	9.5mm	18/20mm	White
CFK614	20mm <td 9.5mm	14mm	9.5mm	18/20mm	Brown	



# Dowel Direct Fixing Tie Rod

## Dowel Specifications

- **Material:** Zinc Alloy
- **Pack Size:** 5,000 pieces

Code	Ø	L	L1
CFK616	5mm	7.5mm	6.1mm
CFK615	5mm	11mm	6.1mm

