



Front Drawer Adjustment





Front Drawer Adjustment

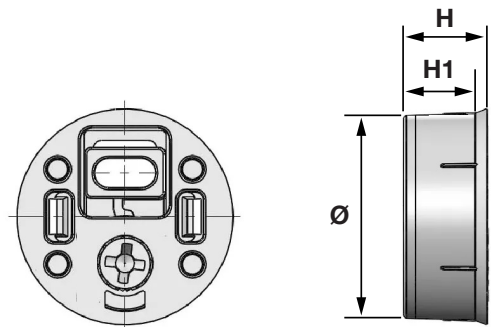
The Front Drawer Adjustment System is designed to provide precise alignment and secure attachment of drawer fronts, ensuring a perfect fit for high-quality cabinetry and furniture applications. This component allows for micro-adjustments of $\pm 2\text{mm}$ in both horizontal and vertical directions, making it an ideal solution for fine-tuning drawer front positioning after

Key Features and Benefits

- **Precision Adjustment:** Enables $\pm 2\text{mm}$ of movement in both horizontal and vertical directions, ensuring perfect drawer alignment.
- **High-Quality Material:** Made from durable plastic with a RAL 7043 finish, providing excellent wear resistance and long-term reliability.
- **Easy Installation:** Designed for simple integration into drawer construction, facilitating a hassle-free setup and adjustment process.
- **Aesthetic Integration:** The system includes a cover cap (sold separately), which conceals the adjustment mechanism for a clean, professional finish.

Front Drawer Adjustment

Code	\emptyset	H	H1
CFK623	26mm	10.5mm	7mm



Front Drawer Adjustment Cover Cap

Code	\emptyset
CFK624	32mm

